

Handwheels 2-spoke flat rim, aluminium

Item description/product images



Description

Material:

Handwheels aluminium.

Cylinder grip black thermoset PF 31-DIN 7708, centre pin electro zinc-plated steel.

Version:

Black, powder-coated.

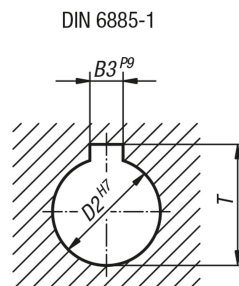
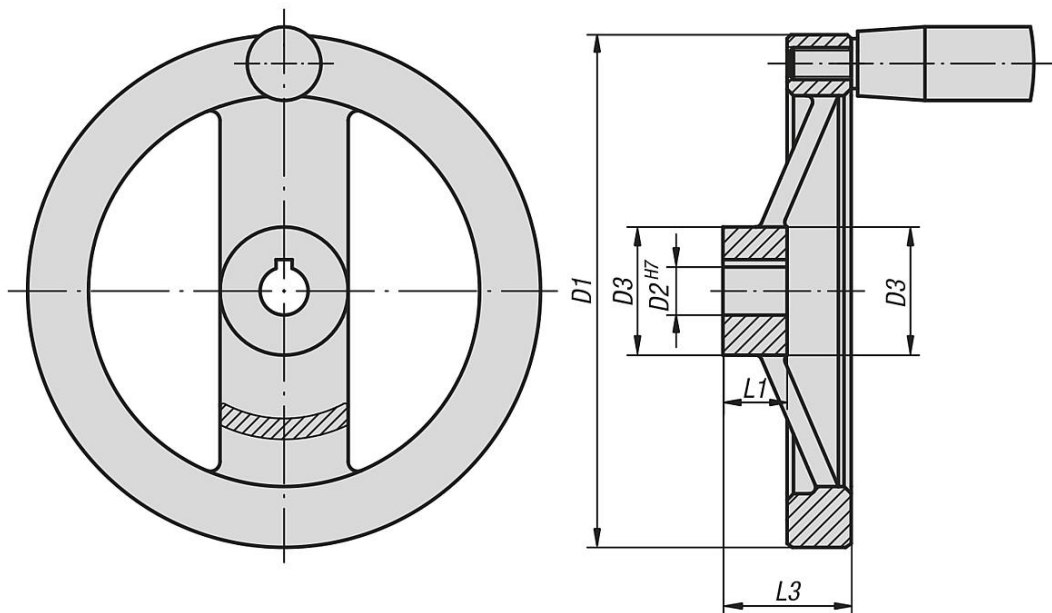
Wheel rim turned.

Radial and axial run-out of rim < IT 12.

On request:

Hubs with square socket.

Drawings



Overview of items

Handwheels 2-spoke, aluminium, flat wheel rim, without grip

Order No.	Version 1	D1	D2	D3	L1	L3	B3	T	Fixed cylinder grip	Revolving cylinder grip
K0162.01080X10	reamed hole	80	10H7	24	16	28	-	-	-	-

Handwheels 2-spoke flat rim, aluminium

Overview of items

Order No.	Version 1	D1	D2	D3	L1	L3	B3	T	Fixed cylinder grip	Revolving cylinder grip
K0162.01080X12	reamed hole	80	12H7	24	16	28	-	-	-	-
K0162.01100X10	reamed hole	100	10H7	26	17	33	-	-	-	-
K0162.01100X12	reamed hole	100	12H7	26	17	33	-	-	-	-
K0162.01125X12	reamed hole	125	12H7	31	18	33,5	-	-	-	-
K0162.01125X14	reamed hole	125	14H7	31	18	33,5	-	-	-	-
K0162.01160X14	reamed hole	160	14H7	40	20	39	-	-	-	-
K0162.01160X16	reamed hole	160	16H7	40	20	39	-	-	-	-
K0162.01200X18	reamed hole	200	18H7	42	24	45	-	-	-	-
K0162.01200X20	reamed hole	200	20H7	42	24	45	-	-	-	-
K0162.01250X22	reamed hole	250	22H7	48	28	51	-	-	-	-
K0162.01250X26	reamed hole	250	26H7	48	28	51	-	-	-	-
K0162.11080X10	reamed hole with slot	80	10H7	24	16	28	3	11,4	-	-
K0162.11080X12	reamed hole with slot	80	12H7	24	16	28	4	13,8	-	-
K0162.11100X10	reamed hole with slot	100	10H7	26	17	33	3	11,4	-	-
K0162.11100X12	reamed hole with slot	100	12H7	26	17	33	4	13,8	-	-
K0162.11125X12	reamed hole with slot	125	12H7	31	18	33,5	4	13,8	-	-
K0162.11125X14	reamed hole with slot	125	14H7	31	18	33,5	5	16,3	-	-
K0162.11160X14	reamed hole with slot	160	14H7	40	20	39	5	16,3	-	-
K0162.11160X16	reamed hole with slot	160	16H7	40	20	39	5	18,3	-	-
K0162.11200X18	reamed hole with slot	200	18H7	42	24	45	6	20,8	-	-
K0162.11200X20	reamed hole with slot	200	20H7	42	24	45	6	22,8	-	-
K0162.11250X22	reamed hole with slot	250	22H7	48	28	51	6	24,8	-	-
K0162.11250X26	reamed hole with slot	250	26H7	48	28	51	8	29,3	-	-
K0162.21080X10	reamed hole	80	10H7	24	16	28	-	-	ø18 x M6 x 40	-
K0162.21080X12	reamed hole	80	12H7	24	16	28	-	-	ø18 x M6 x 40	-
K0162.21100X10	reamed hole	100	10H7	26	17	33	-	-	ø18 x M6 x 40	-
K0162.21100X12	reamed hole	100	12H7	26	17	33	-	-	ø18 x M6 x 40	-
K0162.21125X12	reamed hole	125	12H7	31	18	33,5	-	-	ø21 x M8 x 50	-
K0162.21125X14	reamed hole	125	14H7	31	18	33,5	-	-	ø21 x M8 x 50	-
K0162.21160X14	reamed hole	160	14H7	40	20	39	-	-	ø26 x M10 x 80	-
K0162.21160X16	reamed hole	160	16H7	40	20	39	-	-	ø26 x M10 x 80	-
K0162.21200X18	reamed hole	200	18H7	42	24	45	-	-	ø26 x M10 x 80	-
K0162.21200X20	reamed hole	200	20H7	42	24	45	-	-	ø26 x M10 x 80	-
K0162.21250X22	reamed hole	250	22H7	48	28	51	-	-	ø28 x M12 x 90	-
K0162.21250X26	reamed hole	250	26H7	48	28	51	-	-	ø28 x M12 x 90	-
K0162.31080X10	reamed hole with slot	80	10H7	24	16	28	3	11,4	ø18 x M6 x 40	-
K0162.31080X12	reamed hole with slot	80	12H7	24	16	28	4	13,8	ø18 x M6 x 40	-
K0162.31100X10	reamed hole with slot	100	10H7	26	17	33	3	11,4	ø18 x M6 x 40	-
K0162.31100X12	reamed hole with slot	100	12H7	26	17	33	4	13,8	ø18 x M6 x 40	-
K0162.31125X12	reamed hole with slot	125	12H7	31	18	33,5	4	13,8	ø21 x M8 x 50	-
K0162.31125X14	reamed hole with slot	125	14H7	31	18	33,5	5	16,3	ø21 x M8 x 50	-
K0162.31160X14	reamed hole with slot	160	14H7	40	20	39	5	16,3	ø26 x M10 x 80	-
K0162.31160X16	reamed hole with slot	160	16H7	40	20	39	5	18,3	ø26 x M10 x 80	-
K0162.31200X18	reamed hole with slot	200	18H7	42	24	45	6	20,8	ø26 x M10 x 80	-
K0162.31200X20	reamed hole with slot	200	20H7	42	24	45	6	22,8	ø26 x M10 x 80	-
K0162.31250X22	reamed hole with slot	250	22H7	48	28	51	6	24,8	ø28 x M12 x 90	-
K0162.31250X26	reamed hole with slot	250	26H7	48	28	51	8	29,3	ø28 x M12 x 90	-
K0162.41080X10	reamed hole	80	10H7	24	16	28	-	-	-	ø18 x M6 x 40
K0162.41080X12	reamed hole	80	12H7	24	16	28	-	-	-	ø18 x M6 x 40
K0162.41100X10	reamed hole	100	10H7	26	17	33	-	-	-	ø18 x M6 x 40
K0162.41100X12	reamed hole	100	12H7	26	17	33	-	-	-	ø18 x M6 x 40
K0162.41125X12	reamed hole	125	12H7	31	18	33,5	-	-	-	ø22 x M8 x 56
K0162.41125X14	reamed hole	125	14H7	31	18	33,5	-	-	-	ø22 x M8 x 56
K0162.41160X14	reamed hole	160	14H7	40	20	39	-	-	-	ø26 x M10 x 80
K0162.41160X16	reamed hole	160	16H7	40	20	39	-	-	-	ø26 x M10 x 80
K0162.41200X18	reamed hole	200	18H7	42	24	45	-	-	-	ø26 x M10 x 80
K0162.41200X20	reamed hole	200	20H7	42	24	45	-	-	-	ø26 x M10 x 80
K0162.41250X22	reamed hole	250	22H7	48	28	51	-	-	-	ø31 x M12 x 102
K0162.41250X26	reamed hole	250	26H7	48	28	51	-	-	-	ø31 x M12 x 102
K0162.51080X10	reamed hole with slot	80	10H7	24	16	28	3	11,4	-	ø18 x M6 x 40
K0162.51080X12	reamed hole with slot	80	12H7	24	16	28	4	13,8	-	ø18 x M6 x 40

Handwheels 2-spoke flat rim, aluminium

Overview of items

Order No.	Version 1	D1	D2	D3	L1	L3	B3	T	Fixed cylinder grip	Revolving cylinder grip
K0162.51100X10	reamed hole with slot	100	10H7	26	17	33	3	11,4	-	ø18 x M6 x 40
K0162.51100X12	reamed hole with slot	100	12H7	26	17	33	4	13,8	-	ø18 x M6 x 40
K0162.51125X12	reamed hole with slot	125	12H7	31	18	33,5	4	13,8	-	ø22 x M8 x 56
K0162.51125X14	reamed hole with slot	125	14H7	31	18	33,5	5	16,3	-	ø22 x M8 x 56
K0162.51160X14	reamed hole with slot	160	14H7	40	20	39	5	16,3	-	ø26 x M10 x 80
K0162.51160X16	reamed hole with slot	160	16H7	40	20	39	5	18,3	-	ø26 x M10 x 80
K0162.51200X18	reamed hole with slot	200	18H7	42	24	45	6	20,8	-	ø26 x M10 x 80
K0162.51200X20	reamed hole with slot	200	20H7	42	24	45	6	22,8	-	ø26 x M10 x 80
K0162.51250X22	reamed hole with slot	250	22H7	48	28	51	6	24,8	-	ø31 x M12 x 102
K0162.51250X26	reamed hole with slot	250	26H7	48	28	51	8	29,3	-	ø31 x M12 x 102