

Self-aligning pads with O-ring and exchangeable inserts, Form P, stainless steel insert with polythene face

Item description/product images



Description

Material:

Body carbon steel.

Ball rust and acid resistant steel.

Insert:

Form P stainless steel.

Version:

Body tempered, black oxidised.

Ball hardened, bright.

Insert:

Form P polyurethane surface, Shore 60.

Note:

Self-aligning pads are used to support and clamp unmachined and machined workpieces.

In addition, they serve as stops, supports and thrust pads in fixtures and toolmaking.

The ball can be removed from the housing by applying light pressure to the socket head screw.

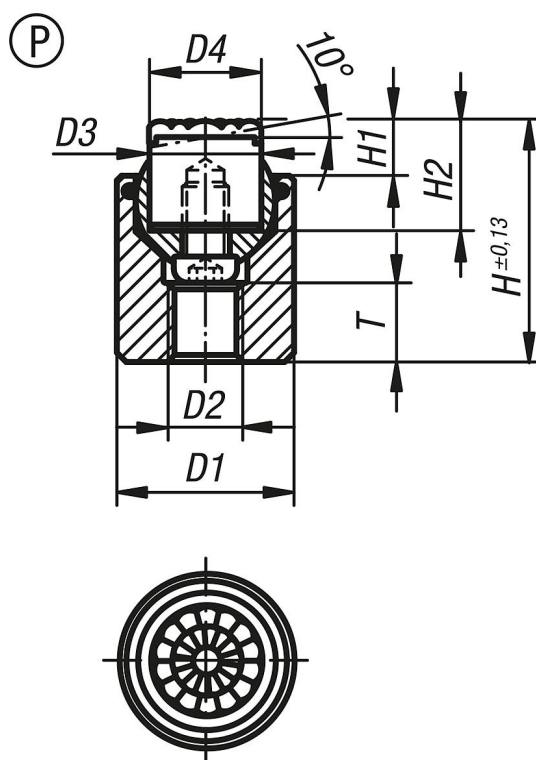
Ball secured against rotation.

Advantages:

Highly cost-effective as inserts can be exchanged.

The built-in O-ring holds the ball in place and keeps dirt and foreign particles out, ensuring uniform movement.

Drawings



Self-aligning pads with O-ring and exchangeable inserts, Form P, stainless steel insert with polythene face

Overview of items

Order No.	Form	D1	D2	D3	D4	H	H1	H2	T	Ball-Ø	Order No. stainless steel insert, polyurethane surface
K0285.617X024	P	17	M6	10	10	24	6	12	7	13	K0385.10126
K0285.619X026	P	19	M8	12	13	26	6	12	8	15	K0385.12126
K0285.624X030	P	24	M10	16	16	30	6	12	8	20	K0385.16126
K0285.630X032	P	30	M12	20	21	32	6	12	9	23	K0385.20126
K0285.636X038	P	36	M12	25	27	38	6	12	11	28	K0385.25126