

## Levelling sets high version

### Item description/product images



### Description

**Material:**

Steel 1.7225.

Stainless steel 1.4305.

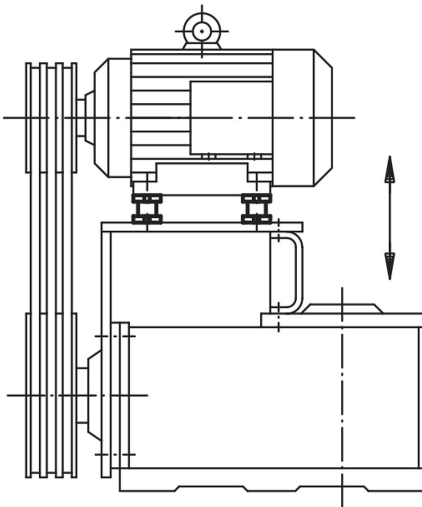
**Version:**

Seel version trivalent blue passivated.

Stainless steel version bright.

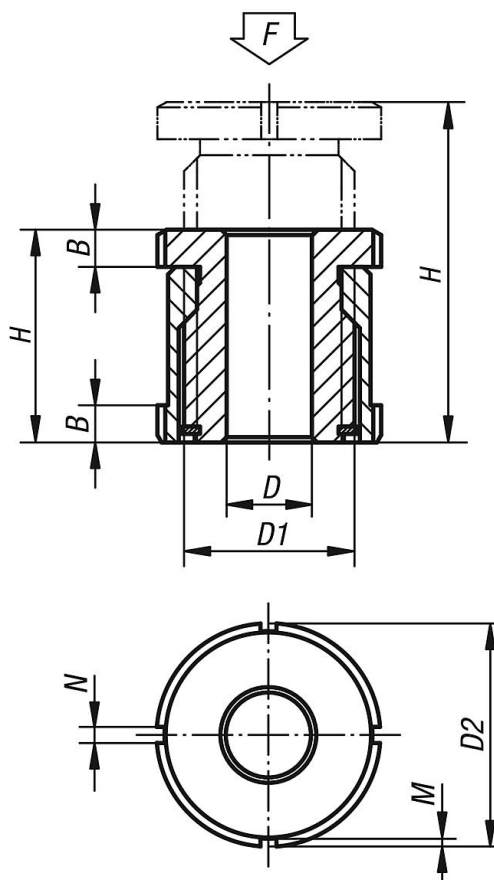
**Note:**

Levelling sets are used for mounting, levelling and aligning motors, aggregates, drive units and assembly lines. They have a large adjustment range of 15 mm to 40 mm. Other sizes available on request.



## Levelling sets high version

### Drawings



### Overview of items

#### Levelling sets, high version

Order No.	Main material	D	for screw	D1	D2	H min.	H max.	B	N	M	F kN
K0692.01504	high carbon steel	4,5	M4	M15x1	25	28	43	5	4	2	40
K0692.01505	high carbon steel	5,5	M5	M15x1	25	28	43	5	4	2	40
K0692.01506	high carbon steel	6,6	M6	M15x1	25	28	43	5	4	2	40
K0692.02006	high carbon steel	6,6	M6	M20x1	32	35	55	6	4	2	65
K0692.02008	high carbon steel	9	M8	M20x1	32	35	55	6	4	2	65
K0692.02010	high carbon steel	11	M10	M20x1	32	35	55	6	4	2	65
K0692.02510	high carbon steel	11	M10	M30x1,5	45	42	67	7	5	2	120
K0692.02512	high carbon steel	13,5	M12	M30x1,5	45	42	67	7	5	2	120
K0692.02516	high carbon steel	17,5	M16	M30x1,5	45	42	67	7	5	2	120
K0692.03216	high carbon steel	17,5	M16	M40x1,5	58	54	86	9	6	2,5	210
K0692.03220	high carbon steel	22	M20	M40x1,5	58	54	86	9	6	2,5	210
K0692.03224	high carbon steel	26	M24	M40x1,5	58	54	86	9	6	2,5	210
K0692.04020	high carbon steel	22	M20	M50x1,5	70	66	106	11	6	2,5	330
K0692.04024	high carbon steel	26	M24	M50x1,5	70	66	106	11	6	2,5	330
K0692.04030	high carbon steel	33	M30	M50x1,5	70	66	106	11	6	2,5	330
K0692.015041	stainless steel	4,5	M4	M15x1	25	28	43	5	4	2	27,1
K0692.015051	stainless steel	5,5	M5	M15x1	25	28	43	5	4	2	27,1
K0692.015061	stainless steel	6,6	M6	M15x1	25	28	43	5	4	2	27,1
K0692.020061	stainless steel	6,6	M6	M20x1	32	35	55	6	4	2	43,4
K0692.020081	stainless steel	9	M8	M20x1	32	35	55	6	4	2	43,4
K0692.020101	stainless steel	11	M10	M20x1	32	35	55	6	4	2	43,4
K0692.025101	stainless steel	11	M10	M30x1,5	45	42	67	7	5	2	84
K0692.025121	stainless steel	13,5	M12	M30x1,5	45	42	67	7	5	2	84

## Levelling sets high version

### Overview of items

Order No.	Main material	D	for screw	D1	D2	H min.	H max.	B	N	M	F kN
K0692.025161	stainless steel	17,5	M16	M30x1,5	45	42	67	7	5	2	84
K0692.032161	stainless steel	17,5	M16	M40x1,5	58	54	86	9	6	2,5	148
K0692.032201	stainless steel	22	M20	M40x1,5	58	54	86	9	6	2,5	148
K0692.032241	stainless steel	26	M24	M40x1,5	58	54	86	9	6	2,5	148
K0692.040201	stainless steel	22	M20	M50x1,5	70	66	106	11	6	2,5	225
K0692.040241	stainless steel	26	M24	M50x1,5	70	66	106	11	6	2,5	225
K0692.040301	stainless steel	33	M30	M50x1,5	70	66	106	11	6	2,5	225