

## Swing clamps

### Item description/product images



### Description

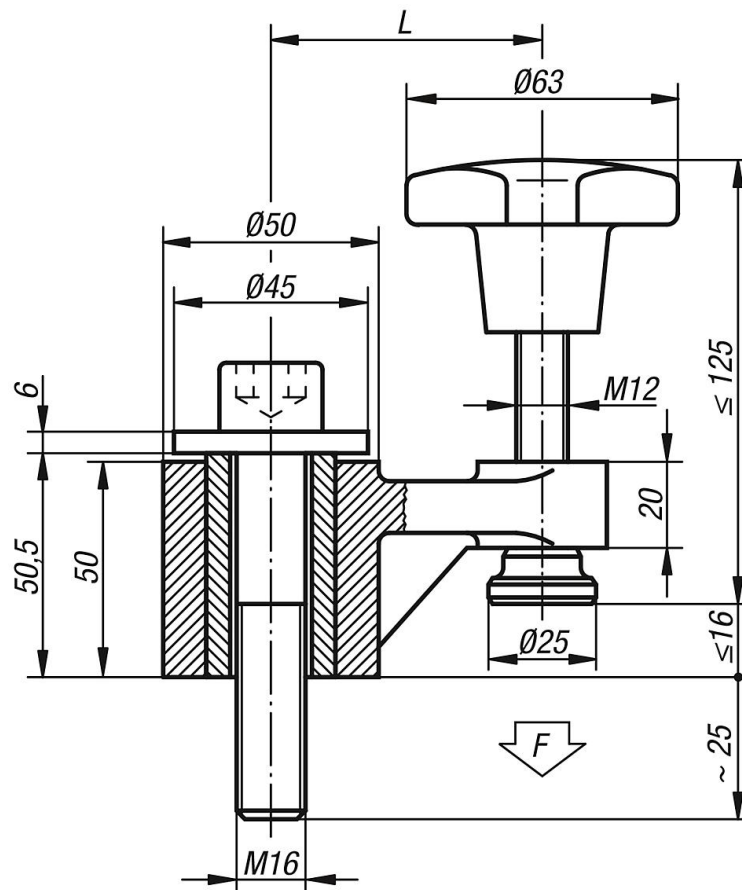
#### Material:

Body malleable iron.  
Sleeve carbon steel 1.1191.  
Screw carbon steel 1.1181.  
Thrust pad mild steel 1.0301.

#### Version:

Painted.  
Thrust pads case-hardened.

### Drawings



### Overview of items

#### Swing clamps

Order No.	L	Clamping force N
K0019.01	63	5000
K0019.02	100	3000

