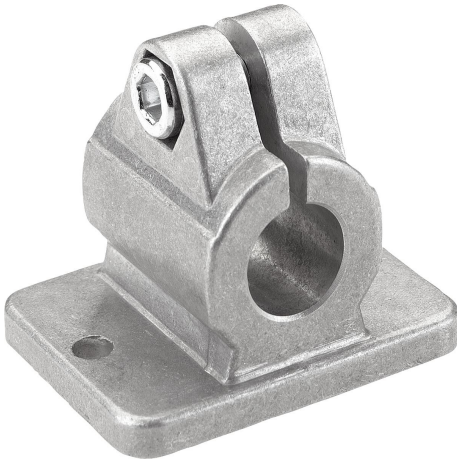


Tube clamps flange aluminum, inch

Item description/product images

INCH
Parts



Description

Material:

Cast aluminum.
DIN 7984 screws and DIN 985 nuts, steel.

Version:

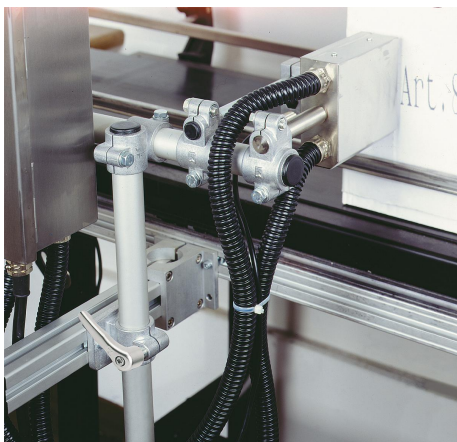
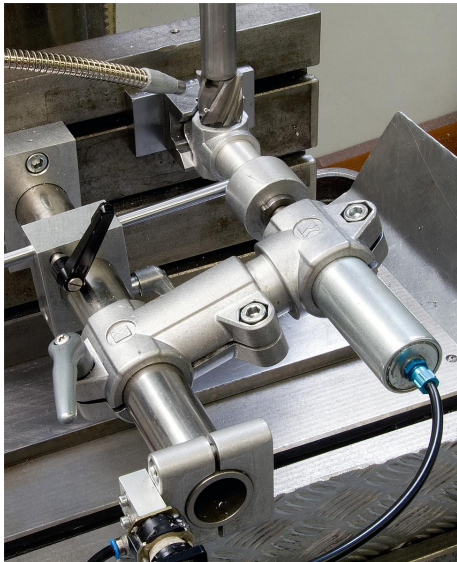
Vibratory ground.
Screws and nuts electro zinc-plated.

Note:

The dimensions for A are in inches, all other dimensions are in mm.

On request:

Adjustable handles for tightening.

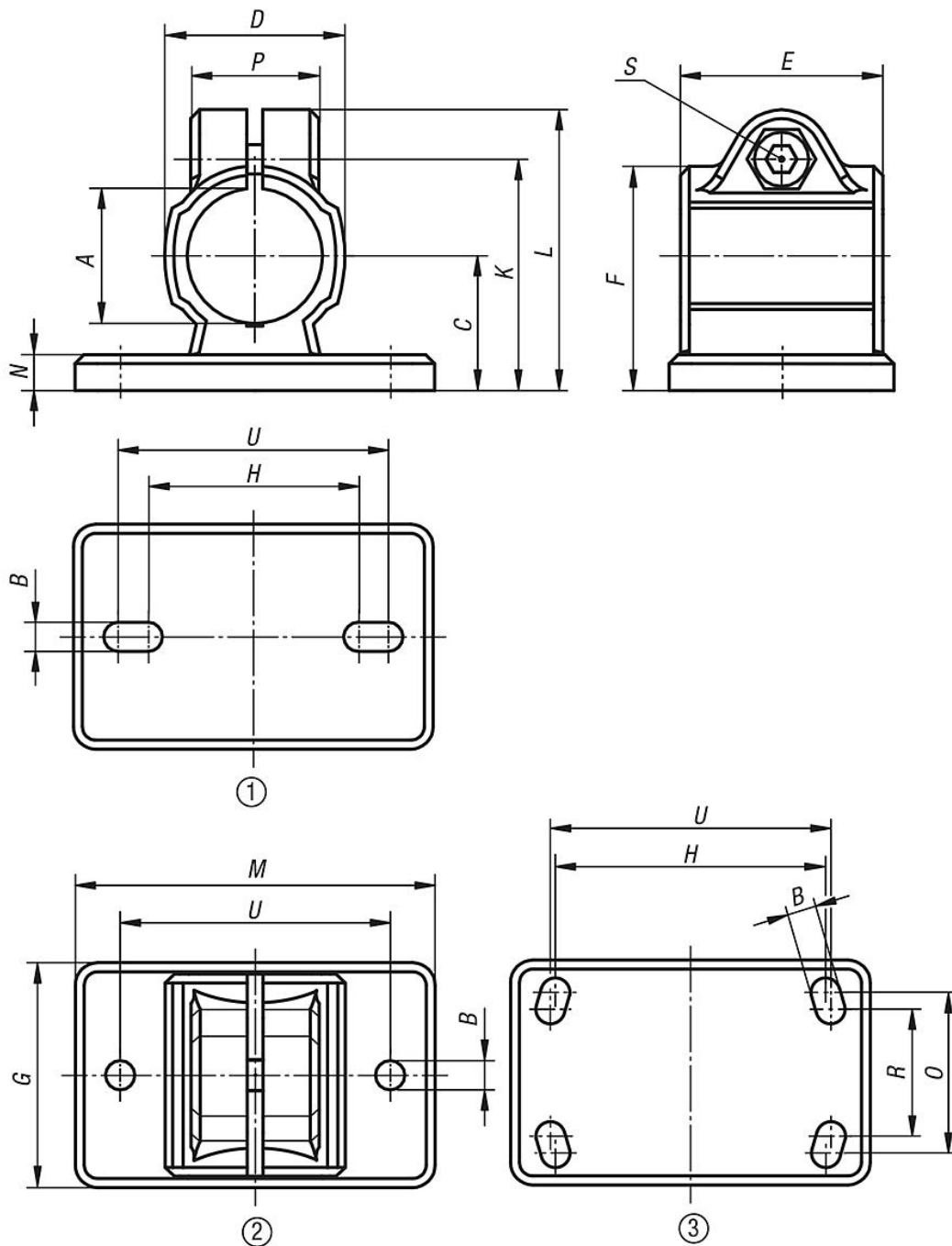


Tube clamps flange aluminum, inch

Item description/product images



Drawings

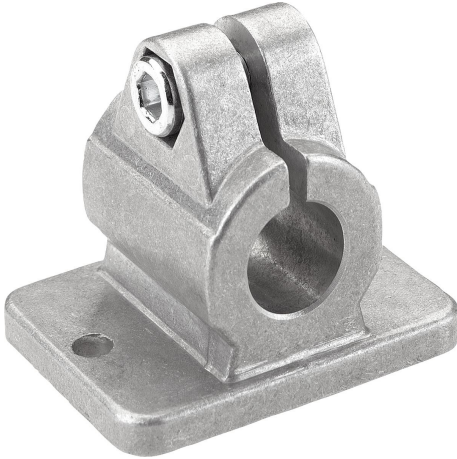


Order No.	hole arrangement	A	B	C	D	E	F	G	H	K	L	M	N	O	P	R	S	U
K0479.5CP	1	0.5	6	18	25	35	31	35	38	32,5	41	50	5	-	23	-	M6x20	40
K0479.5CR	1	0.75	6	18	25	35	31	35	38	32,5	41	50	5	-	23	-	M6x20	40
K0479.5CS	1	1	7	30	40	40	50	55	53	53	63	78	7	-	33	-	M8x25	60
K0479.5CT	1	1.25	7	30	40	40	50	55	53	53	63	78	7	-	33	-	M8x25	60
K0479.5D2	3	1.5	9	42	56	60	70	80	80	74	87	105	10	60	40	52	M10x30	82
K0479.5D4	3	2	11	50	66	65	83	90	98	85	98	128	14	62	45	60	M10x35	100

Tube clamps flange aluminum, metric

Item description/product images

METRIC
Parts



Description

Material:

Cast aluminum.
DIN 7984 screws and DIN 985 nuts, steel.

Version:

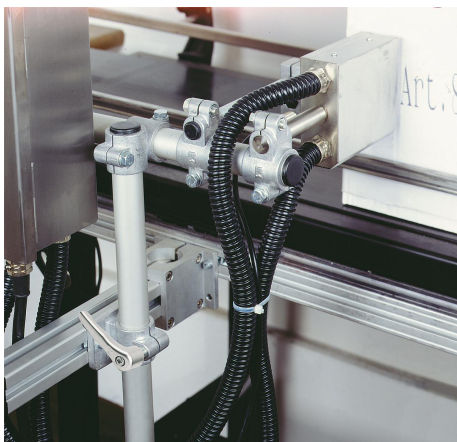
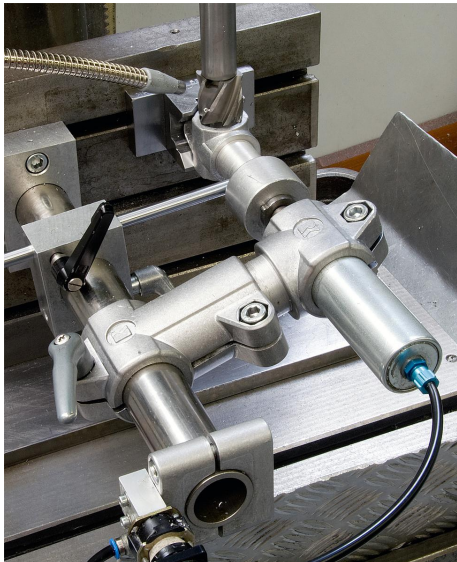
Vibratory ground.
Screws and nuts electro zinc-plated.

Note:

* Elongated hole

On request:

Adjustable handles for tightening.

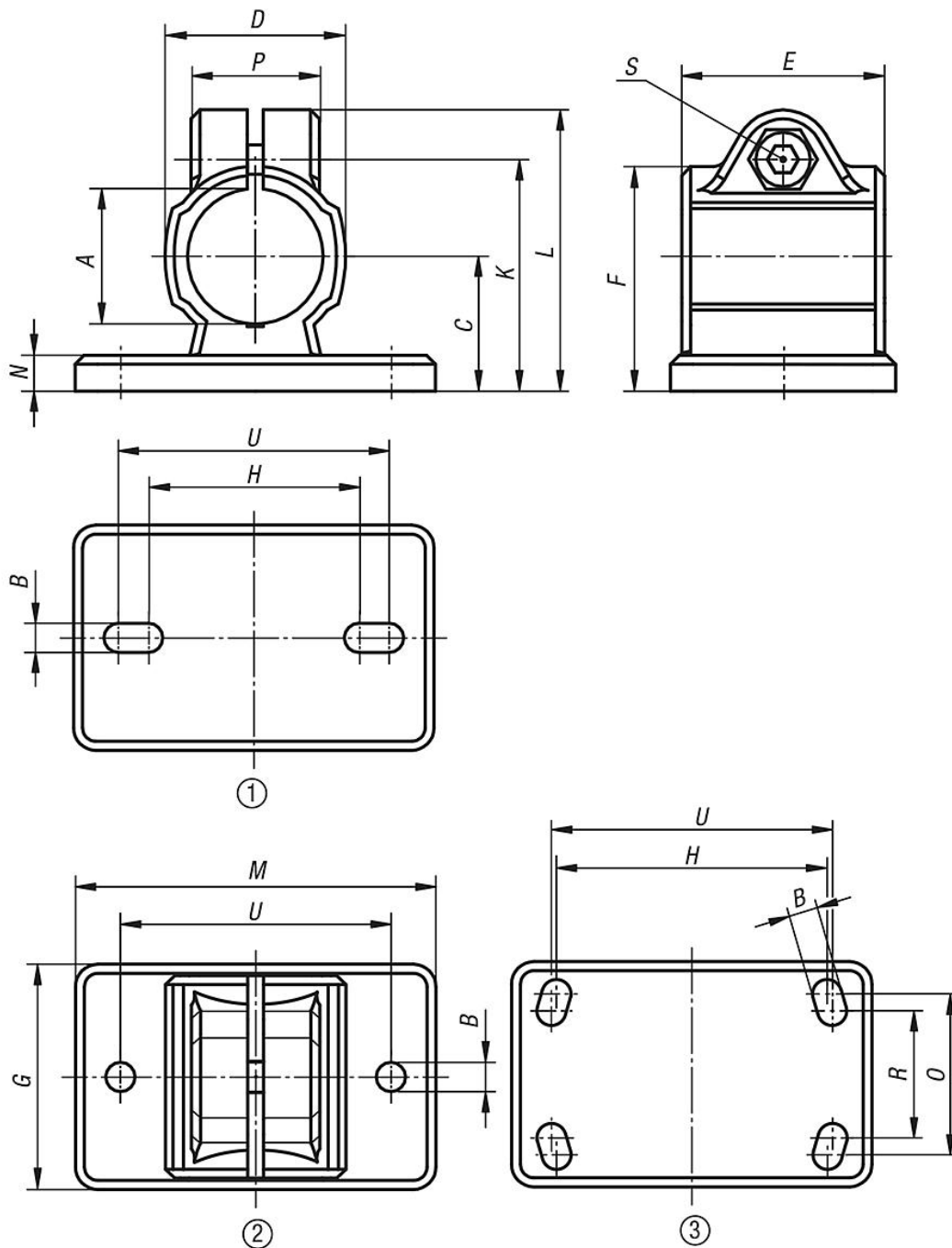


Tube clamps flange aluminum, metric

Item description/product images



Drawings



Order No.	hole arrangement	A	B	C	D	E	F	G	H	K	L	M	N	O	P	R	S	U
K0479.512	1	12,1	5,5* (2x)	18	25	35	31	35	38	32,5	41	50	5	-	23	-	M6x20	40
K0479.514	2	14,1	5,5 (2x)	18	25	35	31	35	-	32,5	41	50	5	-	23	-	M6x20	40
K0479.515	2	15,1	5,5 (2x)	18	25	35	31	35	-	32,5	41	50	5	-	23	-	M6x20	40
K0479.516	1	16,1	5,5* (2x)	18	25	35	31	35	38	32,5	41	50	5	-	23	-	M6x20	40
K0479.518	2	18,1	5,5 (2x)	18	25	35	31	35	-	32,5	41	50	5	-	23	-	M6x20	40
K0479.520	1	20,1	6,5* (2x)	30	40	40	50	55	53	53	63	78	7	-	33	-	M8x25	60
K0479.525	1	25,1	6,5* (2x)	30	40	40	50	55	53	53	63	78	7	-	33	-	M8x25	60
K0479.530	1	30,1	6,5* (2x)	30	40	40	50	55	53	53	63	78	7	-	33	-	M8x25	60
K0479.540	3	40,17	8,5* (4x)	42	56	60	70	80	80	74	87	105	10	60	40	52	M10x30	82

Tube clamps flange aluminum, metric

Order No.	hole arrangement	A	B	C	D	E	F	G	H	K	L	M	N	O	P	R	S	U
K0479.550	3	50,22	10,5* (4x)	50	66	65	83	90	98	85	98	128	14	62	45	60	M10x35	100