

Linear actuator connector clamps cross

Item description/product images



Description

Material:

Cast aluminum.

DIN 7984 screws and DIN 985 nuts, steel.

Version:

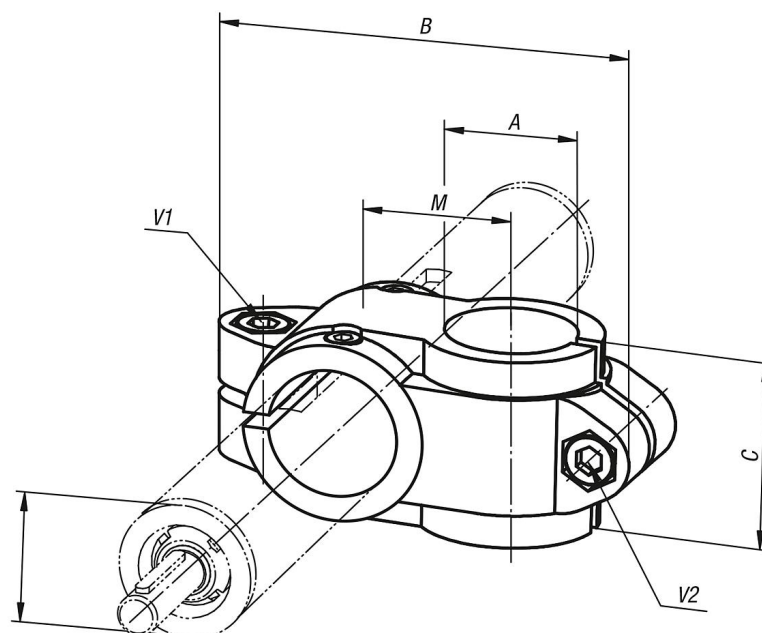
Black powder-coated.

Screws and nuts electro zinc-plated.

On request:

Adjustable handles for tightening.

Drawings



Linear actuator connector clamps, cross

Order No.	Type E	A	B	C	M	V1	V2
K0496.1818	18	18	66	25,5	20	M6x16	M6x16
K0496.3020	30	20	99	40	33	M8x25	M8x25
K0496.3030	30	30	99	40	33	M8x25	M8x25
K0496.4020	40	20	109	40	36	M10x30	M8x25
K0496.4040	40	40	137	60	45	M10x30	M10x30
K0496.5040	50	40	154	70	54	M10x35	M10x35
K0496.5050	50	50	154	70	54	M10x35	M10x35

