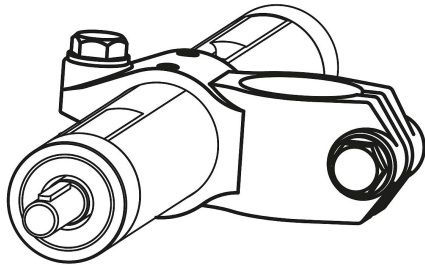


Linear actuator connector clamps, stainless steel cross

Item description/product images



Description

Material:

Stainless steel, investment cast 1.4308 (AISI "316" equivalent).

Screws, stainless steel A2.

Version:

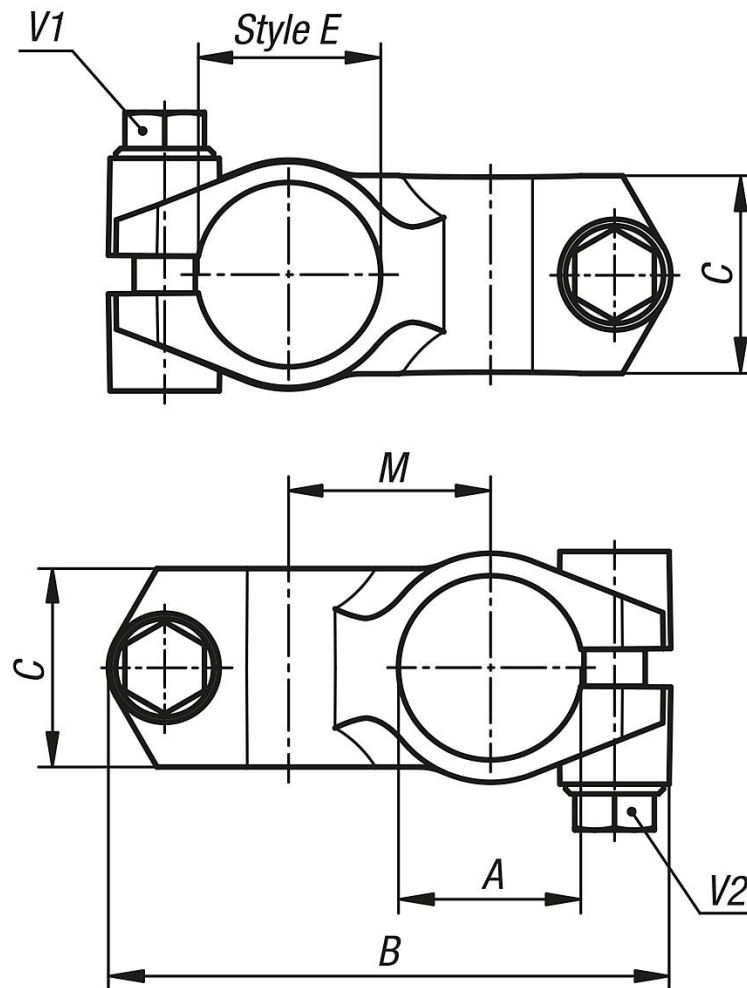
Electropolished.

On request:

Adjustable handles for tightening.

Linear actuator connector clamps, stainless steel cross

Drawings



Linear actuator connector clamps, stainless steel, cross

Order No.	Type E	A	B	C	M	V1	V2
K0496.13030	30	30	92	32,4	33	M8x30	M8x30
K0496.14040	40	40	118	40	42	M10x35	M10x35