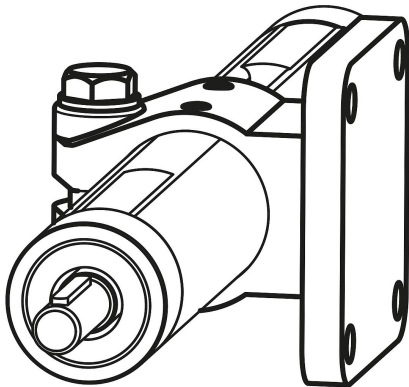
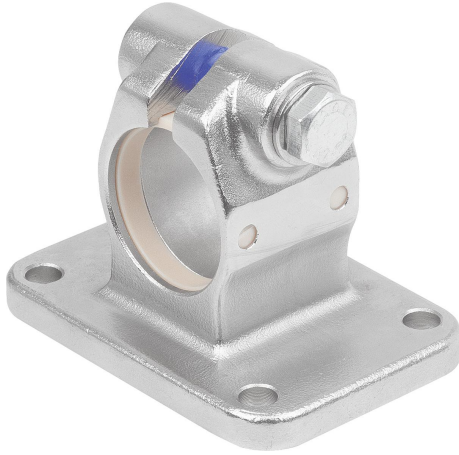


Linear actuator connector clamps, stainless steel flange

Item description/product images



Description

Material:

Stainless steel, investment cast 1.4308 (AISI "316" equivalent).
Screws, stainless steel A2.

Version:

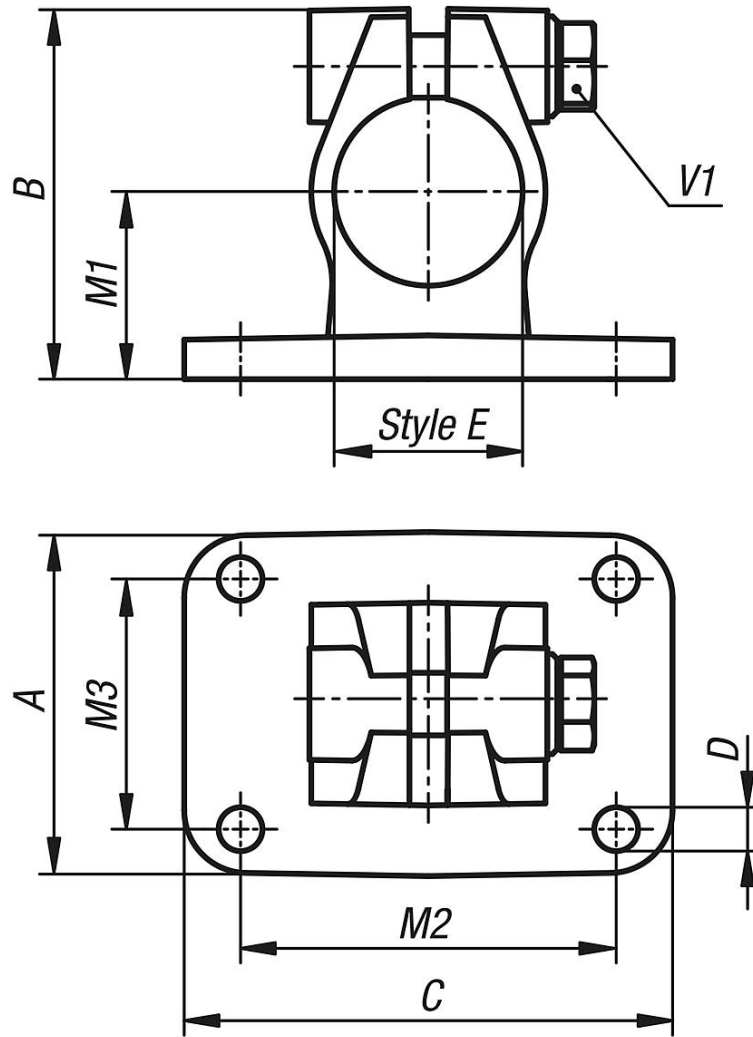
Electropolished.

On request:

Adjustable handles for tightening.

Linear actuator connector clamps, stainless steel flange

Drawings



Linear actuator connector clamps, stainless steel, flange

Order No.	Type E	A	B	C	D	M1	M2	M3	V1
K0498.130	30	55	59	78	7	30	60	40	M8x30
K0498.140	40	80	80	80	9	42	60	60	M10x35