

## Angle sets Type I

### Item description/product images



### Description

**Material:**

Angle die-cast zinc.

Screws and slot nuts steel.

End cap polyamide, fiberglass reinforced.

**Version:**

Angle painted aluminum tone.

Screws and slot nuts electro zinc-plated.

End cap black.

**Note:**

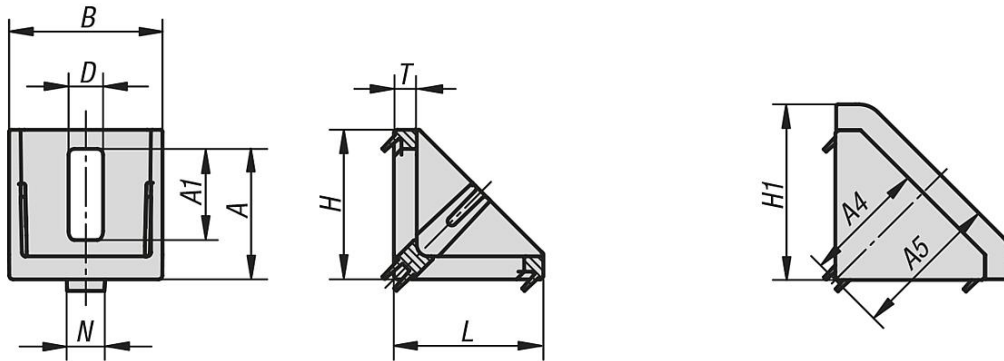
Suitable for reinforcing profile constructions and for frictional connection of profiles with each other without machining. Can also be used as fastening element (e.g. bracket) for any components.

The angles have centering lugs for accurate and twist-proof mounting. The centering lugs can be removed if necessary by breaking off i.e. for mounting plates. The open side can be closed off with the end cap.

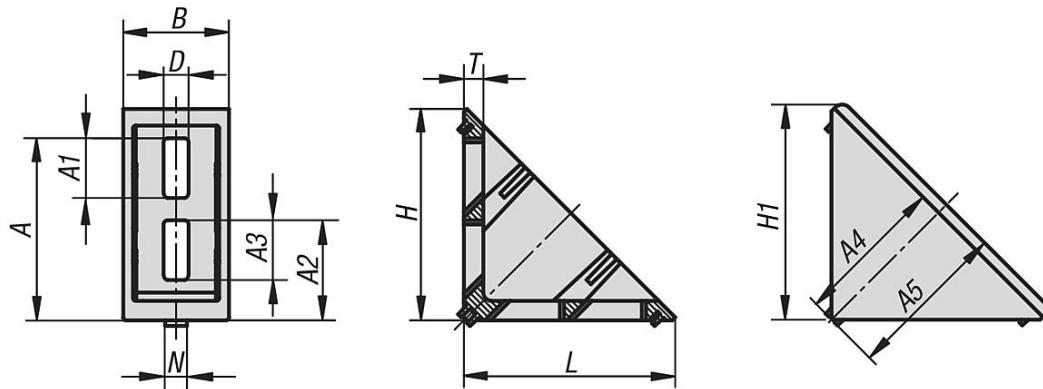
**Angle sets Type I**

**Drawings**

30x30 / 40x40



40x80



**Angle sets Type I**

Order No.	Type	Slot width	Version	A	A1	A2	A3	A4	A5	B	D	H	H1	L	N	T
K1045.063030	I	6	30x30	22,5	11	-	-	23	27	28	6,5	28	32	28	6	4
K1045.084040	I	8	40x40	34	24	-	-	32,5	39	40	9	39	46	39	8	6
K1045.088080	I	8	40x80	65,5	21,5	36	21,5	54,5	58,5	38	9	76	78	76	8	7