

Angle elements T1 Type I

Item description/product images



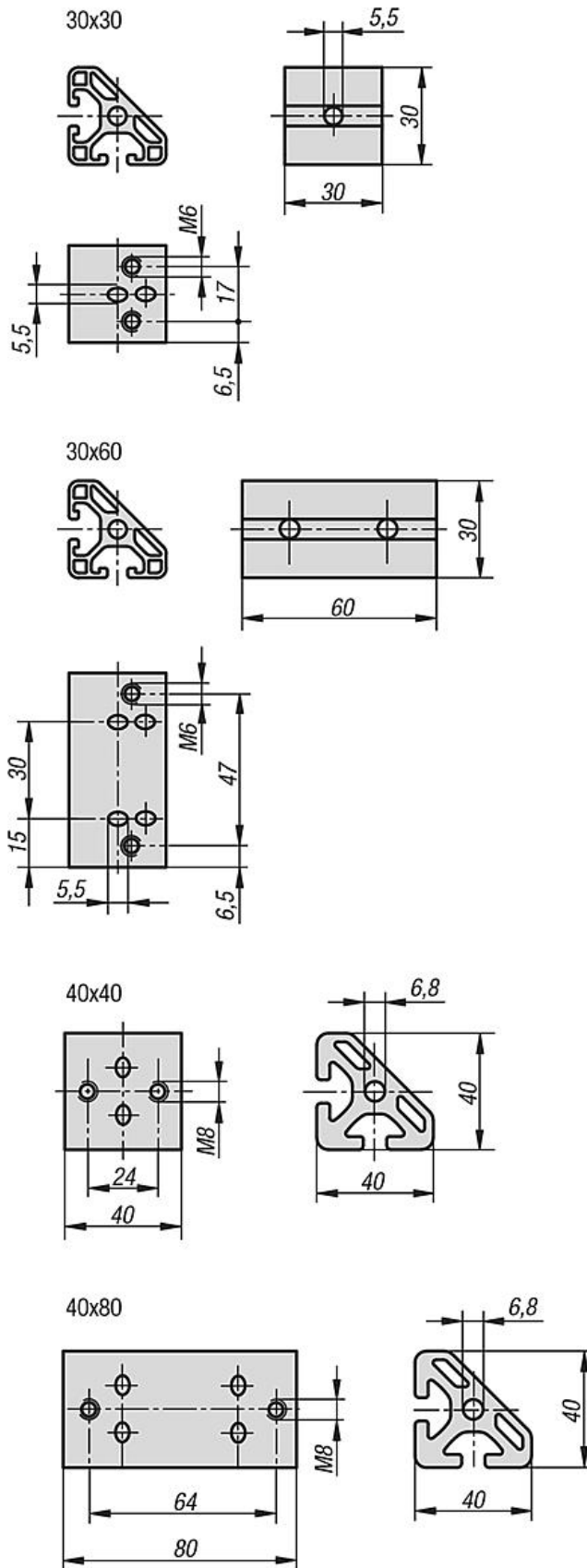
Description

Material:
aluminum.

Note:
Angle element for fastening a profile at a 45° angle and for making struts or ties.
The angle element can be fastened with a universal connector set (remove rotation lock) and with ISO 7380 round-head screws.

Angle elements T1 Type I

Drawings



Angle elements T1 Type I

Order No.	Type	Slot width	Version
K1047.063030	I	6	30x30
K1047.063060	I	6	30x60
K1047.084040	I	8	40x40
K1047.084080	I	8	40x80