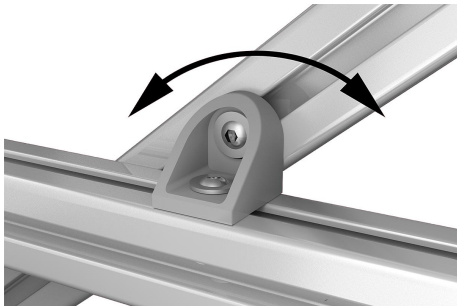


Joint angles Type I

Item description/product images



Description

Material:

Joint angle die-cast zinc.

Pivot bushing steel.

Version:

Joint angle painted aluminum tone.

Pivot bushing electro zinc-plated.

Note:

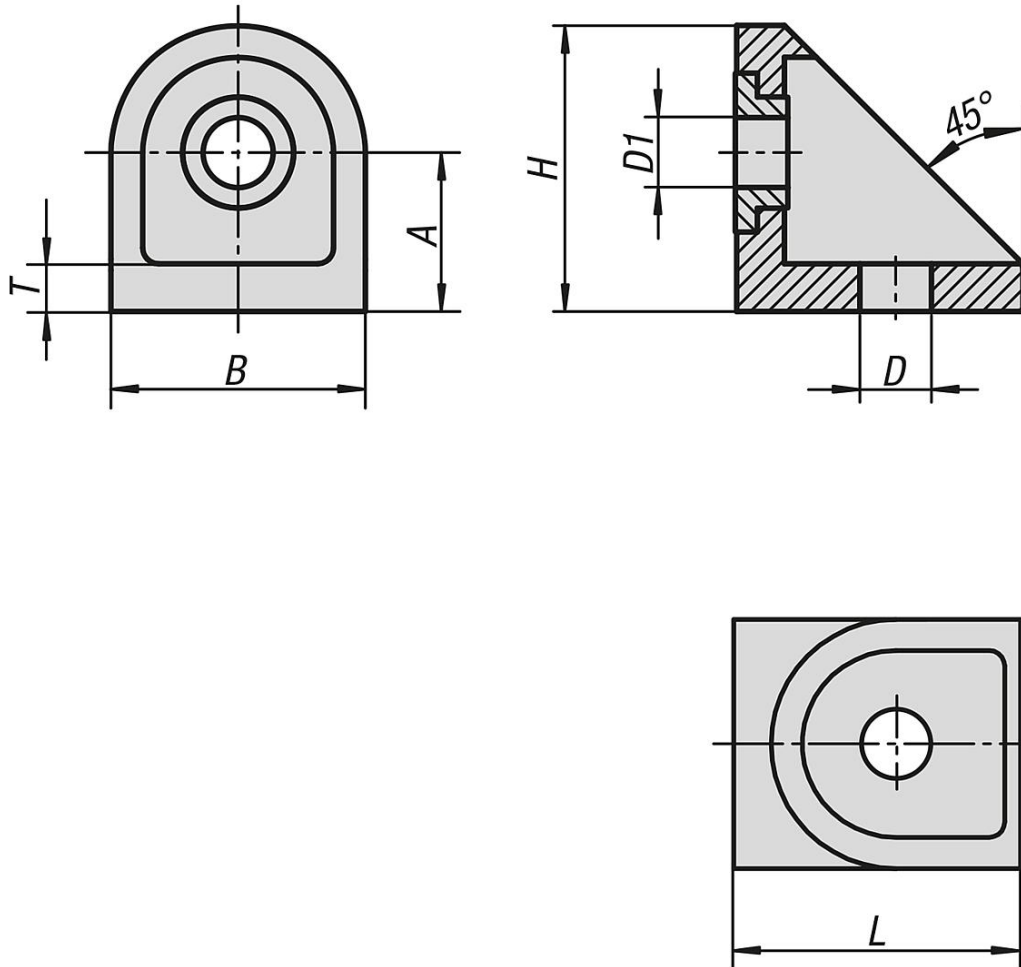
The joint angles are used for connecting two profiles of the same series that have contact on the side faces and cross at any angle.

The joint angle acts as a fixed pivot point for the crossed profiles. When the screw is tightened the profile can still be freely rotated around the pivot bushing.

The joint angles are generally used in combination with a clamping angle.

Joint angles Type I

Drawings



Joint angles Type I

Order No.	Type	Slot width	A	B	D	D1	H	L	T
K1050.06	I	6	15	24	7	6,5	27	27	5
K1050.08	I	8	20	32	9	8,8	35,2	36	5,5