

Slide rail Type I

Item description/product images



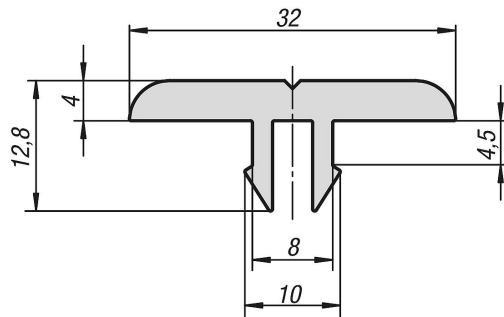
Description

Material:
Polyethylene-HD.

Version:
black.

Note:
Low-wear slide rail with low slide friction for easy handling of goods. Slide rails can also be used as cover protection, impact protection and guide rails.

Drawings



Slide rail Type I

Order No.	Type	Slot width	Length
K1056.081321	I	8	2000