

Foot plates Type B and Type I

Item description/product images



Description

Material:

Die-cast zinc.

Version:

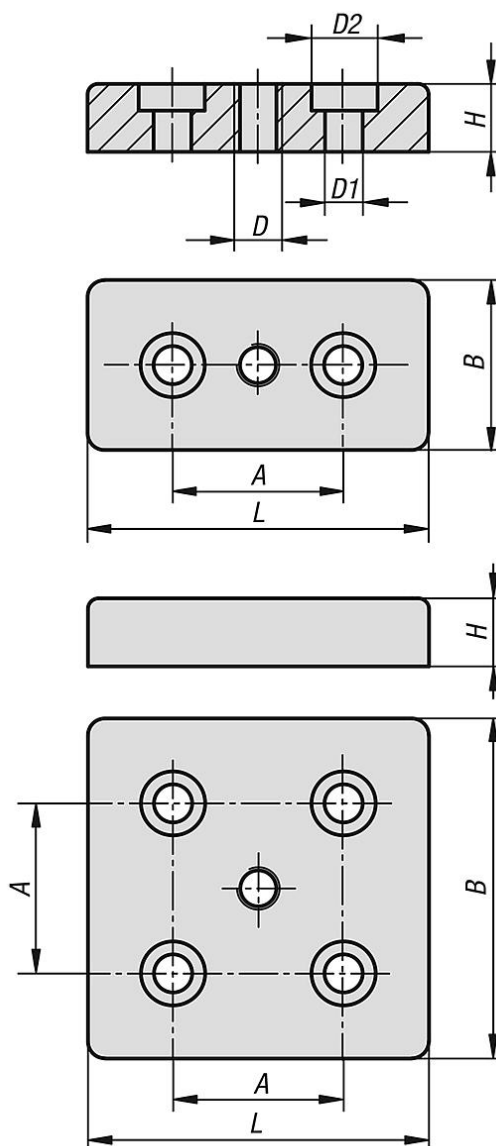
bright or black powder-coated.

Note:

Used to mount levelling feet, rollers, eye bolts and other elements. Can also be mounted to the side of a profile using slot nuts.

Foot plates Type B and Type I

Drawings



Foot plates Type B and Type I

Order No.	Finish	Type	Slot width	Profile	B	L	H	A	D	D1	D2
K1057.0840801080	bright	I	8	40x80	40	80	16	40	M8	9	15
K1057.0840801100	bright	I	8	40x80	40	80	16	40	M10	9	15
K1057.0840801120	bright	I	8	40x80	40	80	16	40	M12	9	15
K1057.0840801160	bright	I	8	40x80	40	80	16	40	M16	9	15
K1057.0880801080	bright	I	8	80x80	80	80	16	40	M8	9	15
K1057.0880801100	bright	I	8	80x80	80	80	16	40	M10	9	15
K1057.0880801120	bright	I	8	80x80	80	80	16	40	M12	9	15
K1057.0880801160	bright	I	8	80x80	80	80	16	40	M16	9	15
K1057.1040802080	bright	B	10	40x80	40	80	16	40	M8	14,5	20
K1057.1040802100	bright	B	10	40x80	40	80	16	40	M10	14,5	20
K1057.1040802120	bright	B	10	40x80	40	80	16	40	M12	14,5	20
K1057.1040802160	bright	B	10	40x80	40	80	16	40	M16	14,5	20
K1057.1045902100	bright	B	10	45x90	45	90	16	45	M10	14,5	20
K1057.1045902120	bright	B	10	45x90	45	90	16	45	M12	14,5	20

Foot plates Type B and Type I

Order No.	Finish	Type	Slot width	Profile	B	L	H	A	D	D1	D2
K1057.1045902140	bright	B	10	45x90	45	90	16	45	M14	14,5	20
K1057.1045902160	bright	B	10	45x90	45	90	16	45	M16	14,5	20
K1057.1045902200	bright	B	10	45x90	45	90	16	45	M20	14,5	20
K1057.1090902100	bright	B	10	90x90	90	90	16	45	M10	14,5	20
K1057.1090902120	bright	B	10	90x90	90	90	16	45	M12	14,5	20
K1057.1090902140	bright	B	10	90x90	90	90	16	45	M14	14,5	20
K1057.1090902160	bright	B	10	90x90	90	90	16	45	M16	14,5	20
K1057.1090902200	bright	B	10	90x90	90	90	16	45	M20	14,5	20
K1057.0630601081	black powdercoated	I	6	30x60	30	60	12	30	M8	6,6	11
K1057.0630601101	black powdercoated	I	6	30x60	30	60	12	30	M10	6,6	11
K1057.0630601121	black powdercoated	I	6	30x60	30	60	12	30	M12	6,6	11
K1057.0630601161	black powdercoated	I	6	30x60	30	60	12	30	M16	6,6	11
K1057.0660601081	black powdercoated	I	6	60x60	60	60	12	30	M8	6,6	11
K1057.0660601101	black powdercoated	I	6	60x60	60	60	12	30	M10	6,6	11
K1057.0660601121	black powdercoated	I	6	60x60	60	60	12	30	M12	6,6	11
K1057.0660601161	black powdercoated	I	8	60x60	60	60	16	40	M16	9	15
K1057.0840801081	black powdercoated	I	8	40x80	40	80	16	40	M8	9	15
K1057.0840801101	black powdercoated	I	8	40x80	40	80	16	40	M10	9	15
K1057.0840801121	black powdercoated	I	8	40x80	40	80	16	40	M12	9	15
K1057.0840801161	black powdercoated	I	8	40x80	40	80	16	40	M16	9	15
K1057.0880801081	black powdercoated	I	8	80x80	80	80	16	40	M8	9	15
K1057.0880801101	black powdercoated	I	8	80x80	80	80	16	40	M10	9	15
K1057.0880801121	black powdercoated	I	8	80x80	80	80	16	40	M12	9	15
K1057.0880801161	black powdercoated	I	8	80x80	80	80	16	40	M16	9	15
K1057.0830602081	black powdercoated	B	8	30x60	30	60	12	30	M8	9	15
K1057.0830602101	black powdercoated	B	8	30x60	30	60	12	30	M10	9	15
K1057.0830602121	black powdercoated	B	8	30x60	30	60	12	30	M12	9	15
K1057.1045902101	black powdercoated	B	10	45x90	45	90	16	45	M10	14,5	20
K1057.1045902121	black powdercoated	B	10	45x90	45	90	16	45	M12	14,5	20
K1057.1045902141	black powdercoated	B	10	45x90	45	90	16	45	M14	14,5	20
K1057.1045902161	black powdercoated	B	10	45x90	45	90	16	45	M16	14,5	20
K1057.1045902201	black powdercoated	B	10	45x90	45	90	16	45	M20	14,5	20
K1057.1090902101	black powdercoated	B	10	90x90	90	90	16	45	M10	14,5	20
K1057.1090902121	black powdercoated	B	10	90x90	90	90	16	45	M12	14,5	20
K1057.1090902141	black powdercoated	B	10	90x90	90	90	16	45	M14	14,5	20
K1057.1090902161	black powdercoated	B	10	90x90	90	90	16	45	M16	14,5	20
K1057.1090902201	black powdercoated	B	10	90x90	90	90	16	45	M20	14,5	20