

Cable clips with T-slot key

Item description/product images



Description

Material:
Polyamide.
O-ring FPM 70.

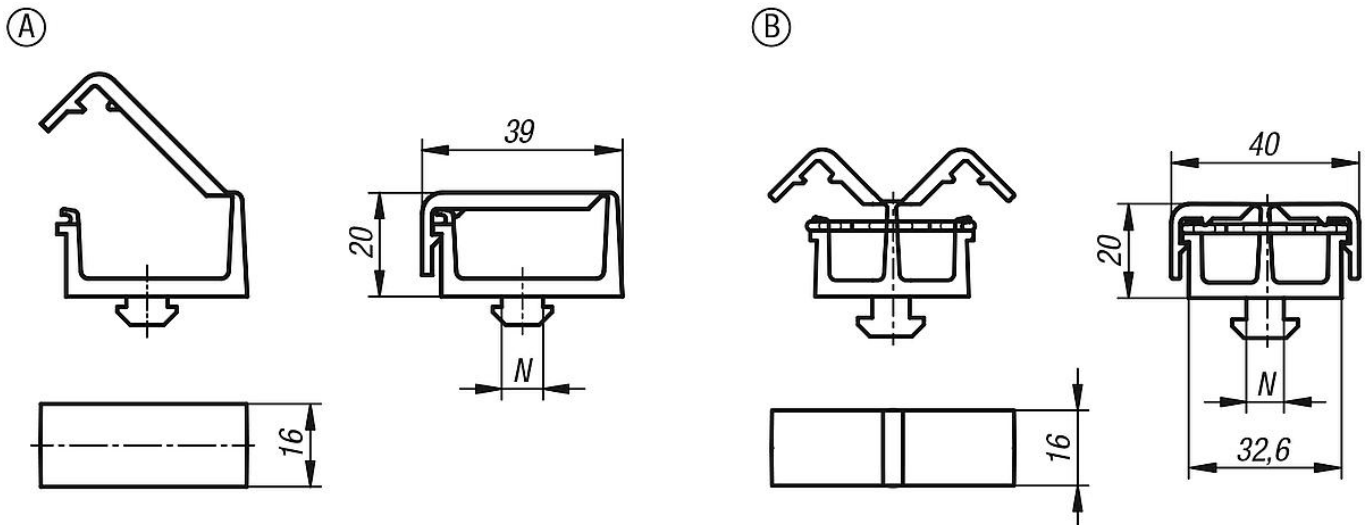
Version:
black.

Note:
The cable clip is a fastening component for cables and hoses with a diameter up to 12 mm.

The clip is mounted by inserting the T-key into a T-slot and twisting through 90°. The cables are held in place by the stretched O-ring.

style A: with one channel.
style B: with two separate channels.

Drawings



Cable clips with T-slot key

Order No.	style	Version 2	Slot width	N
K1280.1108	A	type i	8	8
K1280.1208	A	type b	8	8
K1280.1210	A	type b	10	10
K1280.2108	B	type i	8	8
K1280.2208	B	type b	8	8
K1280.2210	B	type b	10	10

