

Rod-end eyes

Item description/product images



Description

Material:

Steel or stainless steel 1.4305 (AISI 303 equivalent).

Version:

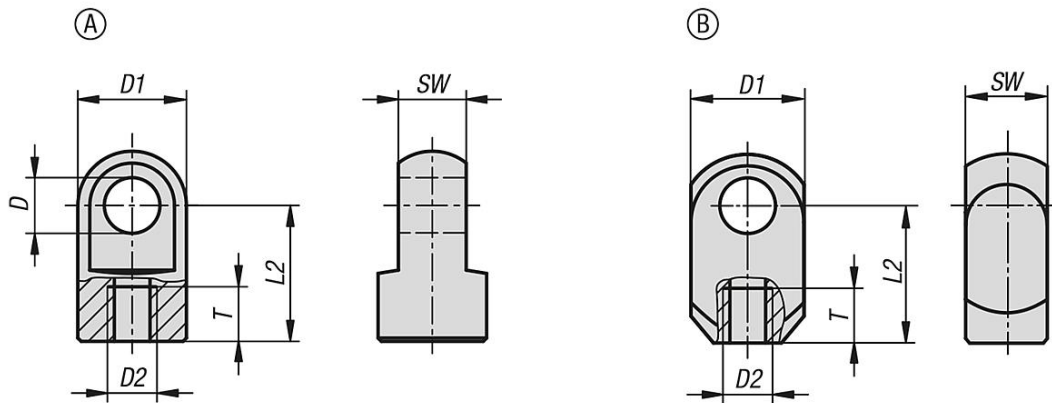
Steel electro zinc-plated.

Stainless steel bright.

Note:

With internal thread.

Drawings



Rod-end eyes

Order No.	Main material	style	D	D1	D2	L2	SW	T
K0127.03504111	steel	A	4,1	8	M3,5	11	4	6
K0127.0506116	steel	A	6,1	10	M5	16	6	8
K0127.0508116	steel	B	8,1	15	M5	16	10	8
K0127.0808119	steel	A	8,1	14	M8	19	10	11
K0127.1008127	steel	A	8,1	18	M10	27	10	12
K0127.05061161	stainless steel	A	6,1	10	M5	16	6	8
K0127.08081191	stainless steel	A	8,1	14	M8	19	10	11
K0127.10081271	stainless steel	A	8,1	18	M10	27	10	12