

## Guide rollers

### Item description/product images



### Description

#### Material:

Tread light brown Extrathane® Shore 92A or white polyamide 6 Shore 80D.

#### Note:

The tread is firmly bonded onto a ball bearing.

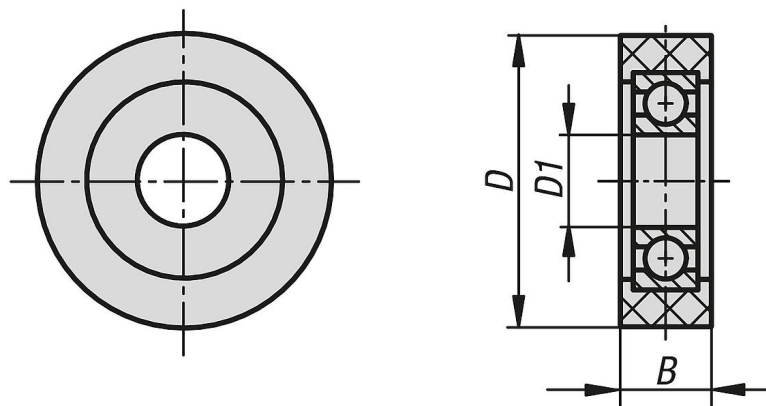
Extrathane tread: quiet running, low roll resistance, elastic, gentle on floors, very wear resistant, high cut and tear resistance, non-marking, non-staining.

Polyamide 6 tread: unbreakable, very low roll resistance, light running on smooth floors, very wear resistant.

Uses: conveyor belts, doors, etc.

Other sizes on request.

### Drawings



### Overview of items

#### Guide rollers

Order No.	Version 1	Material tread	Wheel bearing	D	D1	B	Ball bearing	Permissible load kg
K1779.03008	without locking system	extrathane	ball bearing	30	6	8	626 2RS	20
K1779.03514	without locking system	extrathane	ball bearing	35	12	14	6001 2RS	40
K1779.04020	without locking system	extrathane	ball bearing	40	10	20	6000 2RS	40
K1779.05015	without locking system	extrathane	ball bearing	50	10	15	6200 2RS	60
K1779.06020	without locking system	extrathane	ball bearing	60	17	20	6203 2RS	90
K1779.07020	without locking system	extrathane	ball bearing	70	25	20	6205 2RS	125
K1779.030081	without locking system	polyamide 6	ball bearing	30	6	8	626 2RS	35
K1779.035111	without locking system	polyamide 6	ball bearing	35	8	11	608 2RS	55
K1779.040201	without locking system	polyamide 6	ball bearing	40	10	20	6200 2RS	100
K1779.050151	without locking system	polyamide 6	ball bearing	50	10	15	6200 2RS	100
K1779.060201	without locking system	polyamide 6	ball bearing	60	17	20	6203 2RS	165
K1779.070201	without locking system	polyamide 6	ball bearing	70	25	20	6205 2RS	185

