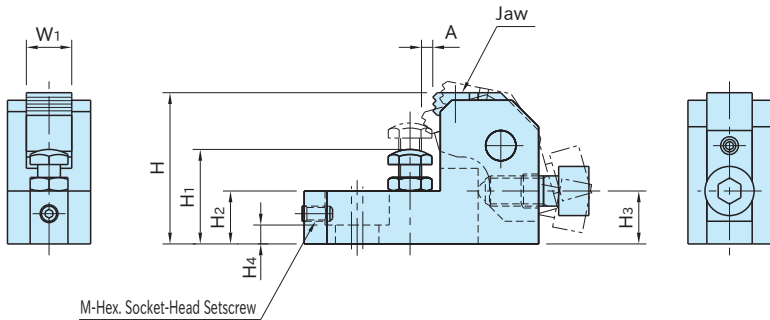
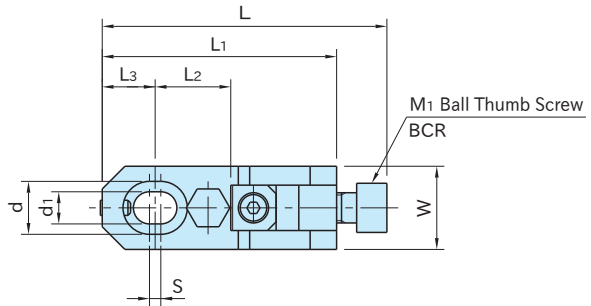


# CP100

# SIDE CLAMPS



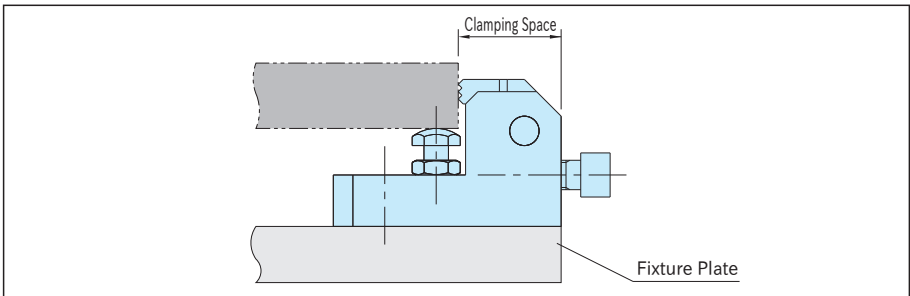
Body / Arm	Jaw	Support Screw
S45C steel Quenched and tempered Black oxide finish	SKH51 steel Quenched and tempered Black oxide finish	S45C steel Induction hardened (Ball head part)



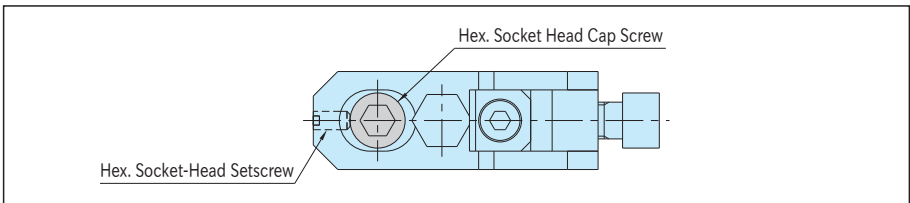
Part Number	A	W <sub>1</sub>	L <sub>2</sub>	L <sub>3</sub>	H	H <sub>1</sub>	W	L	L <sub>1</sub>	d <sub>1</sub>	d	S	H <sub>2</sub>	H <sub>4</sub>
CP100-08040	3	12	20	14	40	25~32	22	75.5	62	8.5	14	3	14	5
CP100-10050	3.7	16	25	18	50	32~40	25	95	78	11	17.5	4	18	7
CP100-12060	4.5	20	30	21	60	40~48	32	113	93	13	20	5	21	8
CP100-16080	6	25	40	28	80	50~65	38	151	124	17	26	6	27	10

Part Number	M	M <sub>1</sub>	H <sub>3</sub>	Clamping Force(kN)	Allowable Screw Torque(N·m)	Weight (kg)	Proper Jaws
CP100-08040	M4×0.7 - 8L	M 8×1.25-20L	14	9	15	0.23	HSE-9126-SS
CP100-10050	M5×0.8 -10L	M10×1.5 -25L	17.5	15	30	0.41	HSE-9166-SS
CP100-12060	M6×1 -12L	M12×1.75-30L	21	25	65	0.75	HSE-9200-SS
CP100-16080	M8×1.25-16L	M16×2 -40L	28	38	100	1.57	HSE-9250-SS

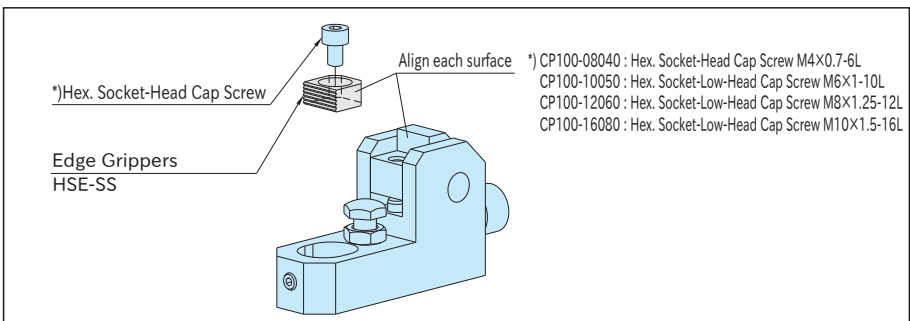
## How To Use



Smaller clamping space allows clamping a larger workpiece.



The hex. socket-head setscrew works to prevent the clamp from sliding back if screwed in until it contacts the cap screw.



Jaw is replaceable.

For installing, use a hex.socket-head cap screw. Fit the jaw onto a pocket of the side clamp arm.