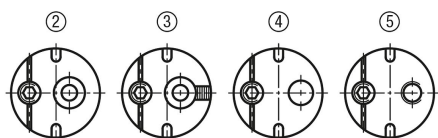


Eccentric bushes with centre bore

Item description/product images



Description

Material:

Stainless steel 1.4305.

Version:

Bright.

Note:

For H7 holes. Turning the grub screw creates a surface pressure. Use a face pin spanner to turn the bush to the desired position and lock it in place with the grub screw.

Application:

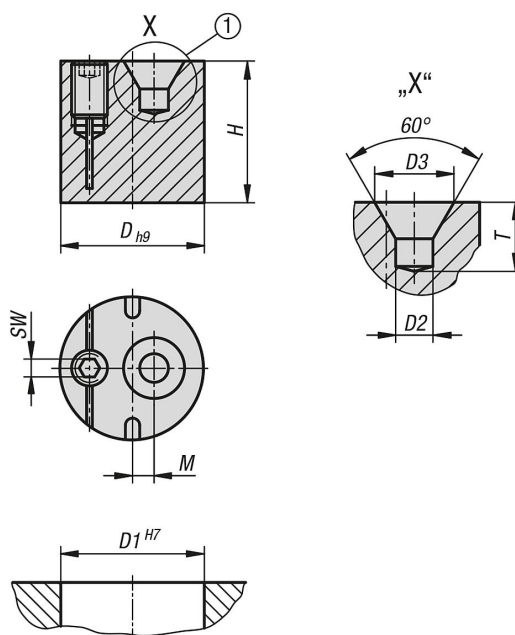
These eccentric bushes can be used as e.g. stops or tolerance compensators.

- 1) DIN 332-1 centre bore, Form A
- 2) Basic form with centring
- 3) With scale groove for visual stop
- 4) Through hole
- 5) Tapped hole

Advantages:

- Easy handling
- Grub screw clamping
- Minimal installation space
- Arbitrary mounting position
- Customised application
- Versatile use

Drawings



Eccentric bushes with centre bore

Overview of items

Eccentric bushes with centre bore

Order No.	D	D1	D2	D3	H	M	SW	T	Tightening torque Nm
K1292.101	10	10	1	2,12	9,8	2,25	2	1,9	1,5
K1292.121	12	12	1,6	3,35	11,8	2	2	2,9	1,5
K1292.151	15	15	2,5	5,3	14,8	2,25	2,5	4,6	2
K1292.181	18	18	4	8,5	15,8	2,25	2,5	7,4	2
K1292.201	20	20	4	8,5	19,8	3	3	7,4	5