

Indexing plungers - Precision with tapered pin

Item description/product images



Description

Material:

Steel.
Grip ball thermoplastic.

Version:

Hardened and ground.
Grip ball black grey.

Note:

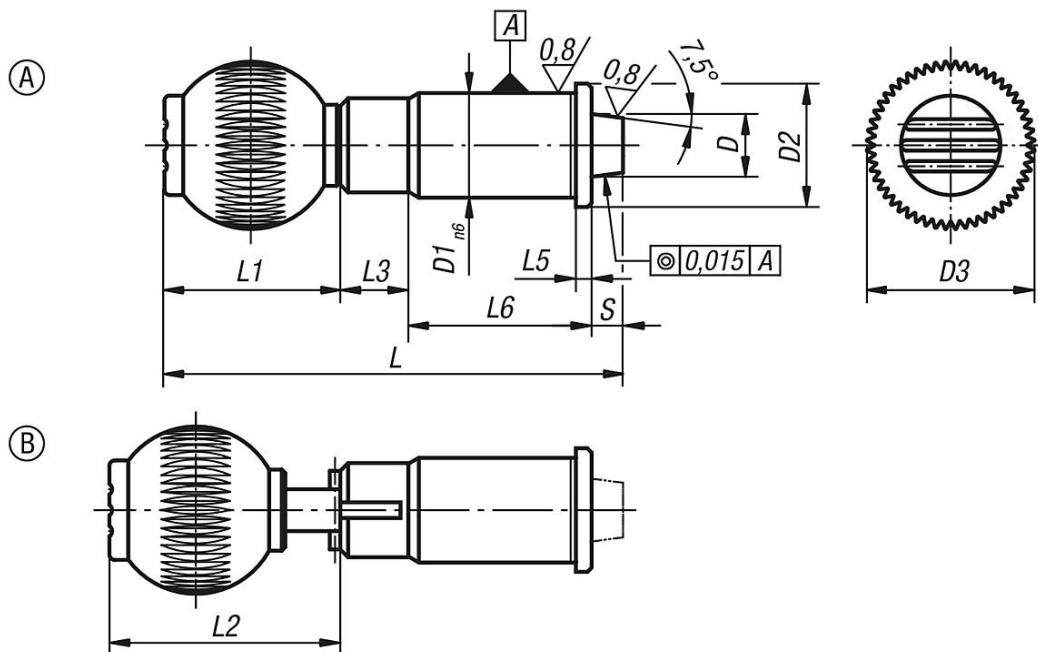
The indexing plungers with bushes are a perfect combination for rapid positioning and fixating. The precise design of both the indexing plunger and the bush guarantees high repeat accuracy when assembling two elements.

For technical information see assembly and installation instructions.

Drawing reference:

Form A: standard
Form B: lockable

Drawings



Overview of items

Precision indexing plungers with tapered pin

Order No. Form A standard	Order No. Form B lockable	D	D1	D2	D3	L	L1	L2	L3	L5	L6	Travel S	Spring force initial pressure F1 approx. N	Spring force final pressure F2 approx. N	Internal thread grip ball
K0359.010	K0359.110	10	16	19	25	75	25	-/30,5	13	2,5	31	6	19	29	M6
K0359.012	K0359.112	12	20	23	32	87	33	-/40,5	13	3	35	6	22	35	M8
K0359.016	K0359.116	16	25	28	40	102,5	41,5	-/49	13	3	42	6	30	50	M10

Indexing plungers - Precision with tapered pin

Overview of items

Order No. Form A standard	Order No. Form B lockable	D	D1	D2	D3	L	L1	L2	L3	L5	L6	Travel S	Spring force initial pressure F1 approx. N	Spring force final pressure F2 approx. N	Internal thread grip ball
K0359.020	K0359.120	20	30	33	40	110,5	41,5	-/49	13	3	50	6	46	63	M10
K0359.025	K0359.125	25	38	42	50	130	51	-/58,5	13	3	60	6	39	73	M10