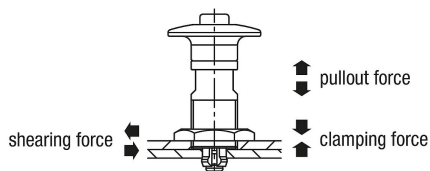


Locking pin stainless steel

Item description/product images



Description

Product description:

With the locking pin, two separate plates can be joined quickly and easily with no counterpiece.

Material:

Housing and push button stainless steel.

Version:

Housing and push button bright.

Note:

Mounting option for plate thickness 3 - 12 mm.

Use a hard material such as stainless steel for the baseplate.

Type of operation:

Screw the locking pin into the mounting plate until the thread can be seen on the other side.

Press the knob and pass the clamping pin through the hole in the premachined baseplate.

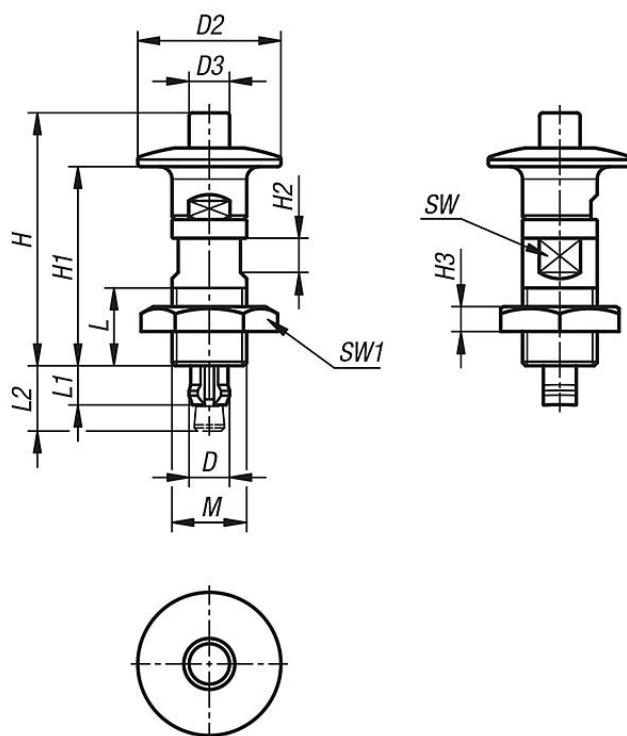
Screw the locking pin in the reverse direction till both plates come together, then secure with the locknut.

Drawing reference:

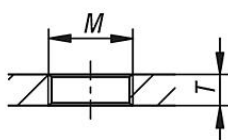
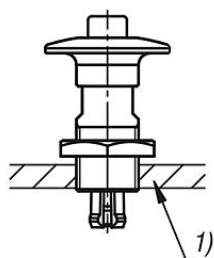
- 1) Mounting plate
- 2) Base plate

Locking pin stainless steel

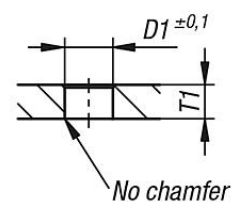
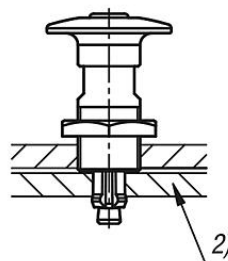
Drawings



Mounting hole in the mounting plate



Mounting hole in the base plate



Overview of items

Locking pin stainless steel

Order No.	D	D1	D2	D3	H	H1	H2	H3	L	L1	L2	M	SW	SW1	T	T1	Temperature resistance	Shearing force kN	Pullout force F kN	Clamping force N
K1565.173	6,5	6,5	23	6,5	40	32	5,5	4	12,5	6,5	10,5	M12x1	10	19	3-8	3	≤180 °C	0,2	0,15	3
K1565.176	6,5	6,5	23	6,5	37	29	5,5	4	12,5	9,5	13,5	M12x1	10	19	3-8	6	≤180 °C	0,2	0,15	3
K1565.193	8,5	8,5	32	10	51	41,5	7	4	16,5	6,5	11	M16X1	14	24	3-12	3	≤180 °C	0,4	0,3	6
K1565.196	8,5	8,5	32	10	48	38,5	7	4	16,5	9,5	14	M16X1	14	24	3-12	6	≤180 °C	0,4	0,3	6

Technical Information

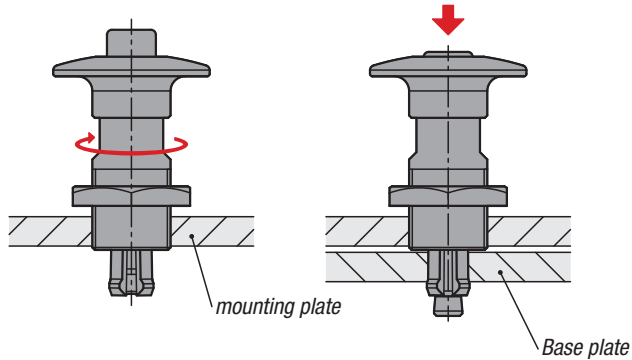
Locking pin K1565



Note:

These are designed to quickly clamp 2 plates.

The system can be used for changing mechanisms in assembly applications or for making other manual adjustments, such as conversions in automatic systems.



Screw the locking pin into the mounting plate until the thread can be seen on the other side.

Press the knob and pass the clamping pin through the hole in the premachined baseplate.

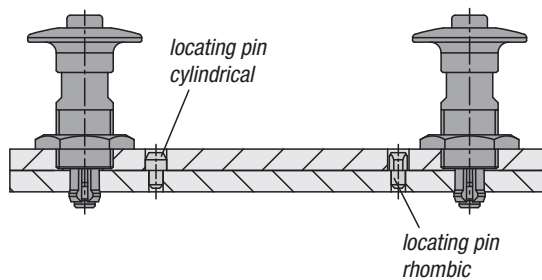
Screw the locking pin in the reverse direction till both plates come together, then secure with the locknut.

Assembly:

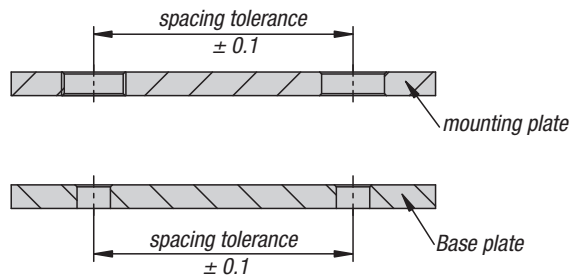
The mounting situation is customer specific. Plates of different thicknesses can be joined.

Repeat accuracy:

A higher repeat accuracy can be achieved with the aid of additional locating pins (not supplied).



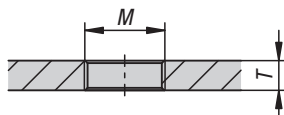
Recommended tolerances when using 2 items



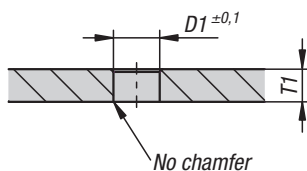
Attention:

Use a hard material such as stainless steel for the baseplate.

Mounting hole in the mounting plate



Mounting hole in the base plate



Application example:

Changing retainer plates

