

Clamping levers with protective cap internal thread, steel parts stainless steel

Item description/product images



lift to
disengage



Description

Material:

Handle die-cast zinc DIN EN 12844.

Steel parts and cap 1.4305 stainless steel.

Version:

Handle powder-coated.

Steel parts bright.

Note:

Standard colours are:

black satin finish, orange RAL 2004.

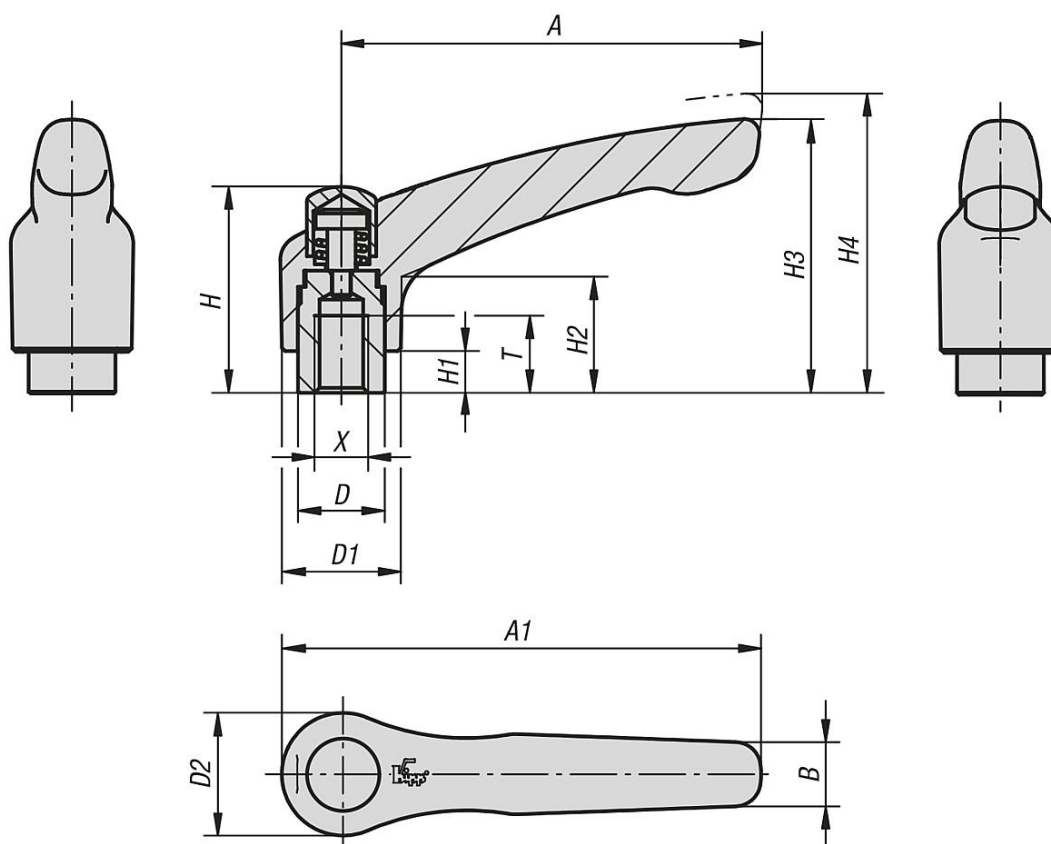
On request:

Other threads, colours and special versions.

Dimension "H1" available in other lengths at extra charge.

Clamping levers with protective cap internal thread, steel parts stainless steel

Drawings



Overview of items

Clamping levers with protective cap, internal thread, steel parts stainless steel

Order No.	Main colour	Size	X	T	D	D1	D2	H	H1	H2	H3	H4	A	A1	B	No. of teeth
K0123.92061	black	2	M6	12	13,5	18,5	19	-	6,5	17,5	42,5	45,5	65	74,5	9,5	20
K0123.92062	orange RAL 2004	2	M6	12	13,5	18,5	19	-	6,5	17,5	42,5	45,5	65	74,5	9,5	20
K0123.92081	black	2	M8	12	13,5	18,5	19	-	6,5	17,5	42,5	45,5	65	74,5	9,5	20
K0123.92082	orange RAL 2004	2	M8	12	13,5	18,5	19	-	6,5	17,5	42,5	45,5	65	74,5	9,5	20
K0123.93081	black	3	M8	14	16	21	22	37	10	24	54,5	58,5	80	91	11	22
K0123.93082	orange RAL 2004	3	M8	14	16	21	22	37	10	24	54,5	58,5	80	91	11	22
K0123.93101	black	3	M10	14	16	21	22	37	10	24	54,5	58,5	80	91	11	22
K0123.93102	orange RAL 2004	3	M10	14	16	21	22	37	10	24	54,5	58,5	80	91	11	22