

# Clamping levers non-adjustable

## Item description/product images



### Description

**Material:**

Handle fibreglass reinforced plastic.  
Steel parts grade 5.8.

**Version:**

Handle black grey, steel parts blue passivated.

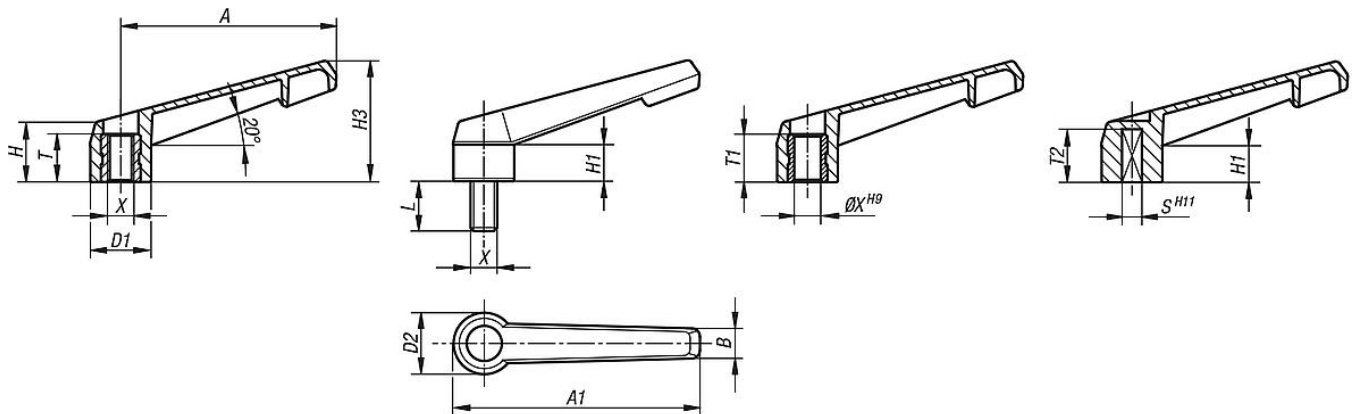
**Note:**

Non-adjustable clamping levers can be used for simple applications. Generally, there must be enough space so that the lever can be rotated through 360°.

**On request:**

Special versions.

## Drawings



## Overview of items

### Non-adjustable clamping levers with internal thread

Order No.	Thread type	Size	X	T	D1	D2	H	H1	H3	A	A1	B
K0175.104000	internal thread	1	M4	10	13,8	14	17	11	27	40	47	8
K0175.105000	internal thread	1	M5	10	13,8	14	17	11	27	40	47	8
K0175.106000	internal thread	1	M6	10	13,8	14	17	11	27	40	47	8
K0175.208000	internal thread	2	M8	14	18,3	18,5	18	11	36,5	65	75	9
K0175.310000	internal thread	3	M10	14	21,8	22	22	14	45	80	91	11
K0175.412000	internal thread	4	M12	18	25,8	26	26	17	54	95	108	13
K0175.516000	internal thread	5	M16	18	30,8	31	31	21	63	110	126	16

### Non-adjustable clamping levers with external thread

Order No.	Thread type	Size	X	D1	D2	H	H1	H3	A	A1	B	L
K0175.105X	external thread	1	M5	13,8	14	17	11	27	40	47	8	20
K0175.106X	external thread	1	M6	13,8	14	17	11	27	40	47	8	20
K0175.208X	external thread	2	M8	18,3	18,5	18	11	36,5	65	75	9	15/20/30
K0175.310X	external thread	3	M10	21,8	22	22	14	45	80	91	11	30
K0175.412X	external thread	4	M12	25,8	26	26	17	54	95	108	13	30
K0175.516X	external thread	5	M16	30,8	31	31	21	63	110	126	16	40

## Clamping levers non-adjustable

### Overview of items

#### Non-adjustable clamping levers with reamed hole

Order No.	Thread type	Size	X	T1	D1	D2	H	H1	H3	A	A1	B
K0175.106001	reamed hole	1	6	10	13,8	14	17	11	27	40	47	8
K0175.208001	reamed hole	2	8	14	18,3	18,5	18	11	36,5	65	75	9
K0175.310001	reamed hole	3	10	14	21,8	22	22	14	45	80	91	11
K0175.412001	reamed hole	4	12	18	25,8	26	26	17	54	95	108	13
K0175.516001	reamed hole	5	16	18	30,8	31	31	21	63	110	126	16

#### Non-adjustable clamping levers with square socket

Order No.	Thread type	Size	S	T2	D1	D2	H	H1	H3	A	A1	B
K0175.105002	square socket	1	5	13	13,8	14	17	11	27	40	47	8
K0175.206002	square socket	2	6	16	18,3	18,5	18	11	36,5	65	75	9
K0175.308002	square socket	3	8	18	21,8	22	22	14	45	80	91	11
K0175.410002	square socket	4	10	20	25,8	26	26	17	54	95	108	13
K0175.512002	square socket	5	12	26	30,8	31	31	21	63	110	126	16