

# Tension levers internal thread

## Item description/product images



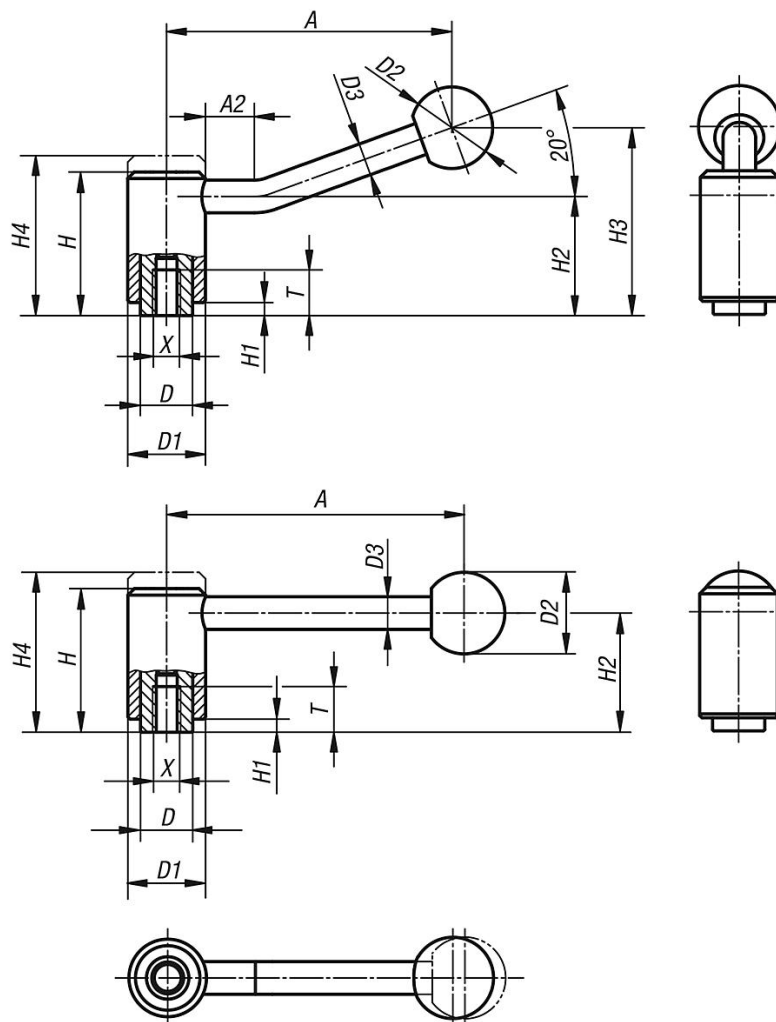
### Description

**Material:**  
Steel parts grade 5.8.  
Ball knob black plastic.

**Version:**  
Powder-coated with fine texture, black.

**On request:**  
Other threads and special versions.  
Dimensions "H1" and "A" available in other lengths at extra charge.

## Drawings



## Overview of items

### Tension levers with internal thread

Order No.	Form	X	T	A=Handle length	A2	D	D1	D2	D3	H	H1	H2	H3	H4	No. of teeth
K0108.1082	0°	M8	14	92	-	16	24	25	10	44,5	4,5	37	-	49,5	22

## Tension levers internal thread

### Overview of items

Order No.	Form	X	T	A=Handle length	A2	D	D1	D2	D3	H	H1	H2	H3	H4	No. of teeth
K0108.1102	0°	M10	14	92	-	16	24	25	10	44,5	4,5	37	-	49,5	22
K0108.2102	0°	M10	17	111	-	19	28	32	12	51,5	5,5	42	-	57,5	24
K0108.2122	0°	M12	17	111	-	19	28	32	12	51,5	5,5	42	-	57,5	24
K0108.3122	0°	M12	23	134,5	-	23	33	32	13	58	6	47	-	65	26
K0108.3162	0°	M16	23	134,5	-	23	33	32	13	58	6	47	-	65	26
K0108.4162	0°	M16	27	134	-	30	41	32	13	68,5	7,5	56,5	-	76,5	36
K0108.4202	0°	M20	27	134	-	30	41	32	13	68,5	7,5	56,5	-	76,5	36
K0108.4242	0°	M24	27	134	-	30	41	32	13	68,5	7,5	56,5	-	76,5	36
K0108.1081	20°	M8	14	88	15	16	24	25	10	44,5	4,5	37	58,5	49,5	22
K0108.1101	20°	M10	14	88	15	16	24	25	10	44,5	4,5	37	58,5	49,5	22
K0108.2101	20°	M10	17	106	15	19	28	32	12	51,5	5,5	42	68,5	57,5	24
K0108.2121	20°	M12	17	106	15	19	28	32	12	51,5	5,5	42	68,5	57,5	24
K0108.3121	20°	M12	23	128,5	15	23	33	32	13	58	6	47	81	65	26
K0108.3161	20°	M16	23	128,5	15	23	33	32	13	58	6	47	81	65	26
K0108.4161	20°	M16	27	128,5	15	30	41	32	13	68,5	7,5	56,5	89,5	76,5	36
K0108.4201	20°	M20	27	128,5	15	30	41	32	13	68,5	7,5	56,5	89,5	76,5	36
K0108.4241	20°	M24	27	128,5	15	30	41	32	13	68,5	7,5	56,5	89,5	76,5	36