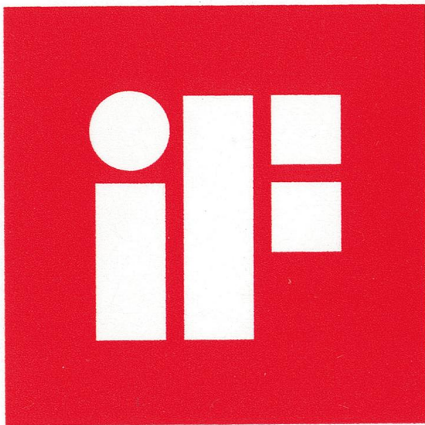


Cam levers internal and external thread, steel or stainless steel

Item description/product images



product
design
award

Description

Material:

Handles cast aluminum EN AC-46200.

Thrust washer plastic PA 66 GF 35-X fibreglass reinforced.

Hinge pin stainless steel 1.4305.

Studs and washer steel grade 5.8 or stainless steel 1.4305.

Version:

Handles fine structured powder-coated, black or red RAL 3003.

Thrust washer black.

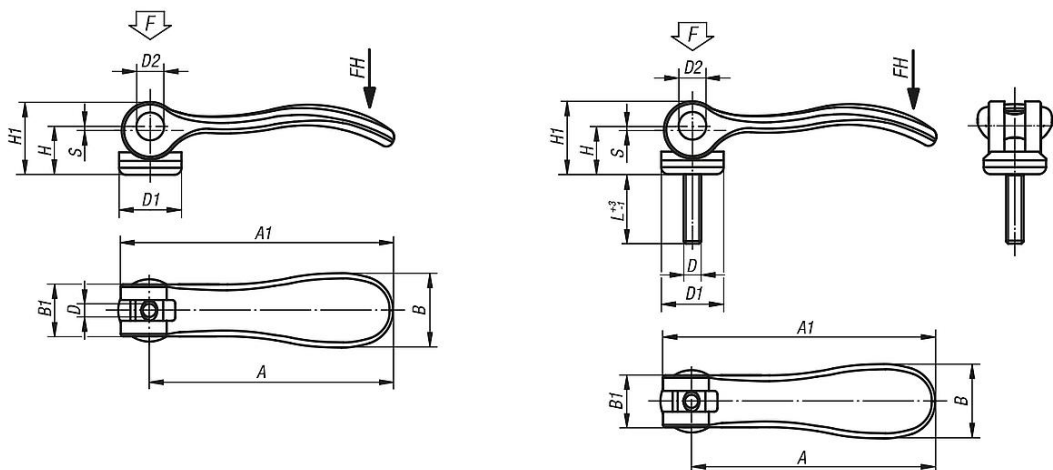
Hinge pin bright.

Studs and washer blue passivated steel or bright stainless steel.

Note:

Plastics are subject to creeping under load (retardation).

Drawings



Overview of items

Cam levers internal and external thread, steel or stainless steel

Overview of items

Cam levers with internal thread, grip black

Order No. steel	Order No. stainless steel	D	D1	D2	B	B1	H	H1	A	A1	Travel S	Clamping force F (kN)	Hand force FH N
K0005.9501103	K0005.9511103	M3	12	6	14,4	11,5	9	13	36,2	41,7	1	1,5	90
K0005.9501104	K0005.9511104	M4	12	6	14,4	11,5	9	13	36,2	41,7	1	1,5	90
K0005.0501104	K0005.0511104	M4	15,4	8	18	13	11,2	17	52,3	59,1	1	2,5	100
K0005.0501105	K0005.0511105	M5	15,4	8	18	13	11,2	17	52,3	59,1	1	2,5	100
K0005.1501105	K0005.1511105	M5	18,1	9	21,5	15	14,5	22	70,4	79,2	1,2	4	120
K0005.1501106	K0005.1511106	M6	18,1	9	21,5	15	14,5	22	70,4	79,2	1,2	4	120
K0005.2501108	K0005.2511108	M8	27,1	11	33,3	24	18	28,5	96	108	1,5	8	350

Cam levers with internal thread, grip red

Order No. steel	Order No. stainless steel	D	D1	D2	B	B1	H	H1	A	A1	Travel S	Clamping force F (kN)	Hand force FH N
K0005.9501403	K0005.9511403	M3	12	6	14,4	11,5	9	13	36,2	41,7	1	1,5	90
K0005.9501404	K0005.9511404	M4	12	6	14,4	11,5	9	13	36,2	41,7	1	1,5	90
K0005.0501404	K0005.0511404	M4	15,4	8	18	13	11,2	17	52,3	59,1	1	2,5	100
K0005.0501405	K0005.0511405	M5	15,4	8	18	13	11,2	17	52,3	59,1	1	2,5	100
K0005.1501405	K0005.1511405	M5	18,1	9	21,5	15	14,5	22	70,4	79,2	1,2	4	120
K0005.1501406	K0005.1511406	M6	18,1	9	21,5	15	14,5	22	70,4	79,2	1,2	4	120
K0005.2501408	K0005.2511408	M8	27,1	11	33,3	24	18	28,5	96	108	1,5	8	350