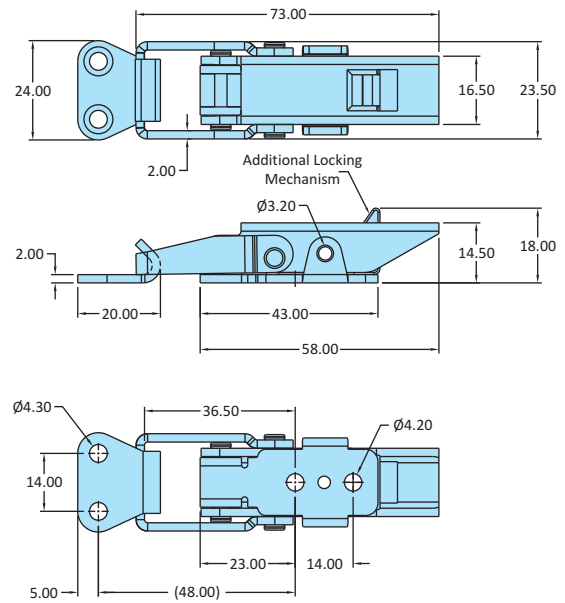
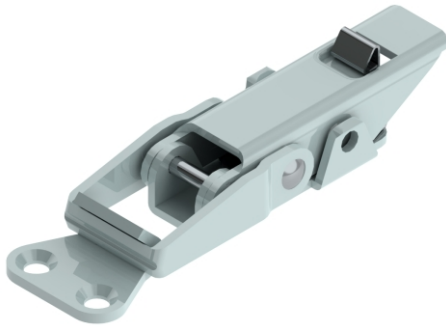


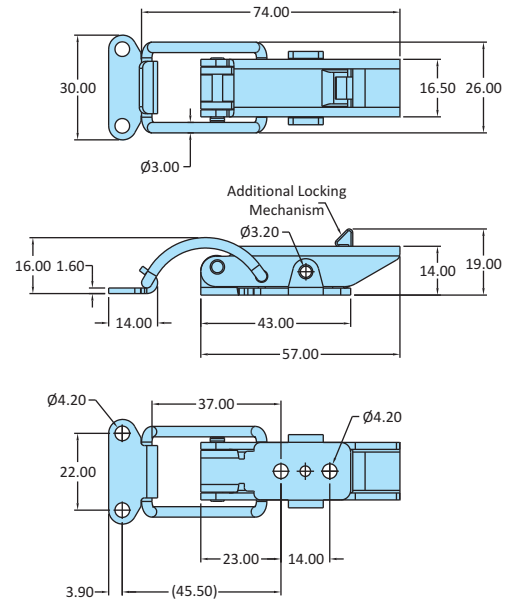
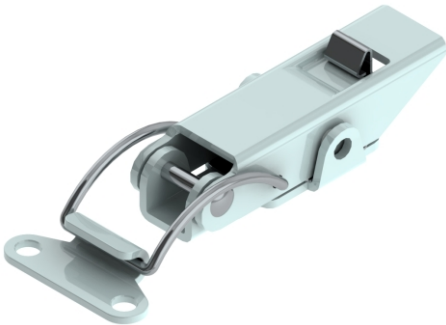
Non-Adjustable Latch Medium Duty with Additional Locking Mechanism

Model No	PAH-27-1900-TRIG
Weight	0.050 Kgs
Holding Capacity	X - 2.00 kN
Material	Steel
Finish	Zinc Plated
Supplied with Hook	FH-0212
Model No	PAH-27-1900-TRIG-SS
Material	Stainless Steel-304
Supplied with Hook	FH-0212-SS



Non-Adjustable Latch Medium Duty with Additional Locking Mechanism

Model No	PAH-27-1570-TRIG
Weight	0.040 Kgs
Holding Capacity	X - 0.90 kN
Material	Steel
Finish	Zinc Plated
Supplied with Hook	FH-10103
Model No	PAH-27-1570-TRIG-SS
Material	Stainless Steel-304
Supplied with Hook	FH-10103-SS



Non-Adjustable Latch Medium Duty with Additional Locking Mechanism

Model No	PAH-27-1750-TRIG
Weight	0.050 Kgs
Holding Capacity	X - 0.90 kN
Material	Steel
Finish	Zinc Plated
Supplied with Hook	FH-10103
Model No	PAH-27-1750-TRIG-SS
Material	Stainless Steel-304
Supplied with Hook	FH-10103-SS

