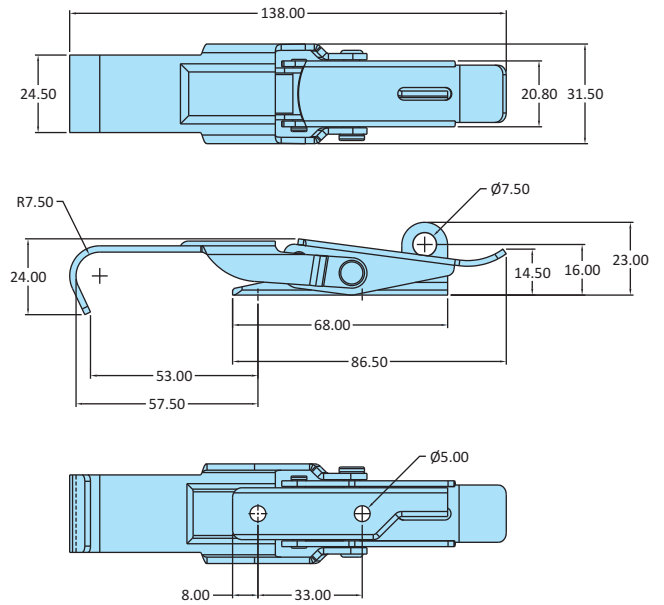


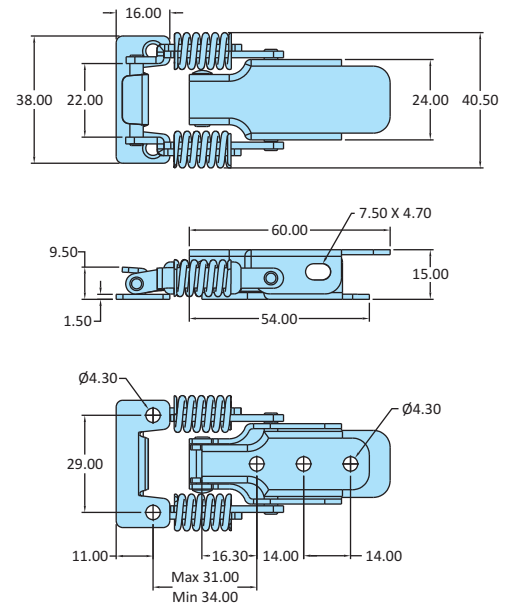
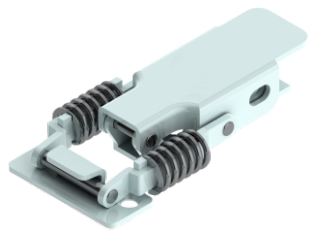
Medium Duty
Non-Adjustable Claw Latch Padlockable

Model No	PAH-50-570
Weight	0.120 Kgs
Holding Capacity	X - 2.40 kN
Material	Steel
Finish	Zinc Plated
Model No	PAH-50-570-SS
Material	Stainless Steel-304



Light Duty
Spring Latch

Model No	PAH-CT-0120
Weight	0.070 Kgs
Holding Capacity	X - 0.50 kN
Material	Steel
Finish	Zinc Plated
Supplied with Hook	FH-0120
Model No	PAH-CS-0120-SS
Material	Stainless Steel-304
Supplied with Hook	FH-0120-SS



Light Duty
Spring Latch

Model No	PAH-CT-0130
Weight	0.140 Kgs
Holding Capacity	X - 0.50 kN
Material	Steel
Finish	Zinc Plated
Supplied with Hook	FH-0130
Model No	PAH-CS-0130-SS
Material	Stainless Steel-304
Supplied with Hook	FH-0130-SS

