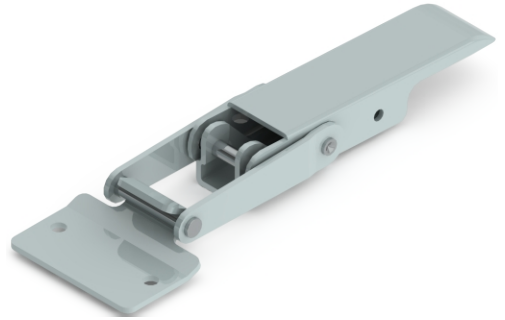
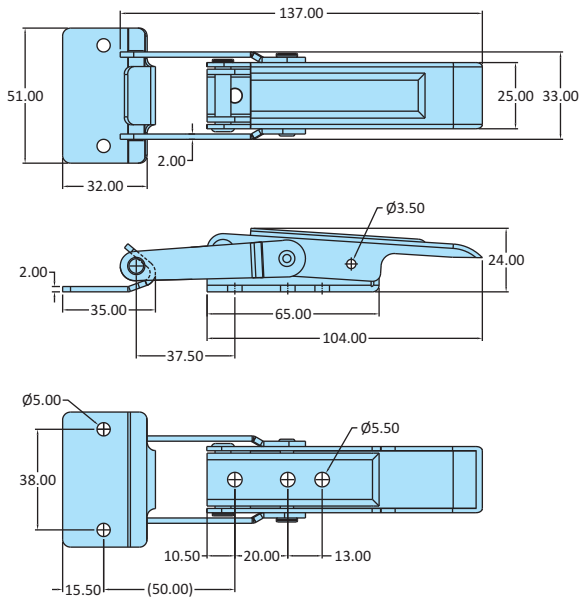
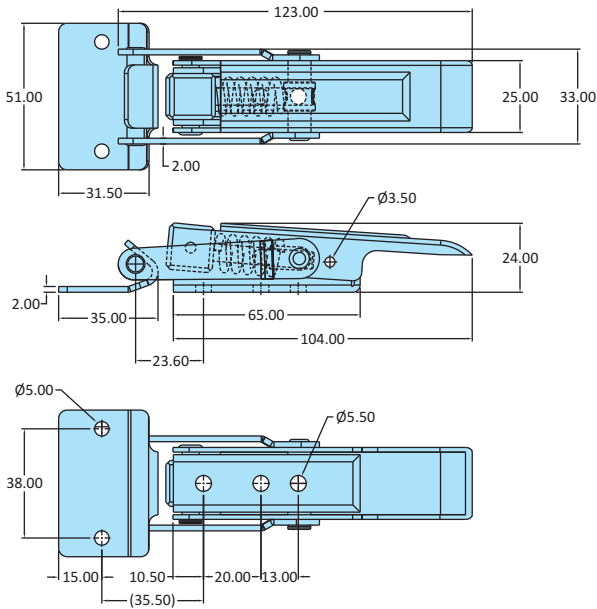


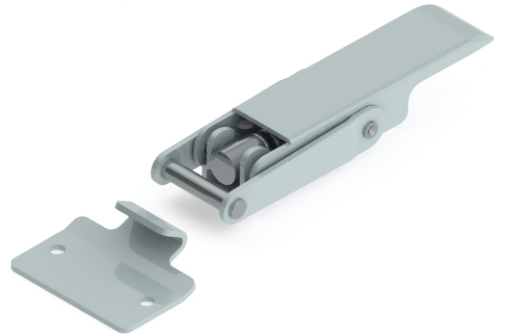
Medium Duty
Non-Adjustable Latch



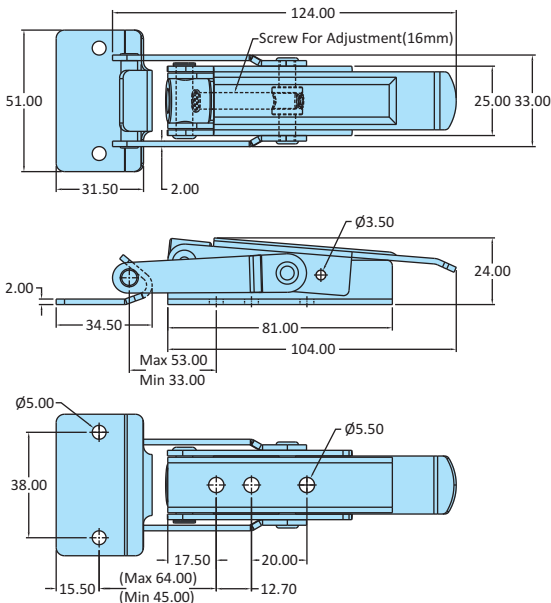
Medium Duty
Spring Non-Adjustable Latch



Model No	PAH-70-2600
Weight	0.220 Kgs
Holding Capacity	X - 1.50 kN
Material	Steel
Finish	Zinc Plated
Supplied with Hook	FH-60-2600
Model No	PAH-70-2600-SS
Material	Stainless Steel-304
Supplied with Hook	FH-60-2600-SS



Heavy Duty
Adjustable Latch



Model No	PAH-70-2573
Weight	0.150 Kgs
Holding Capacity	X - 7.40 kN
Material	Steel
Finish	Zinc Plated
Supplied with Hook	FH-60-2600
Model No	PAH-70-2573-SS
Material	Stainless Steel-304
Supplied with Hook	FH-60-2600-SS

