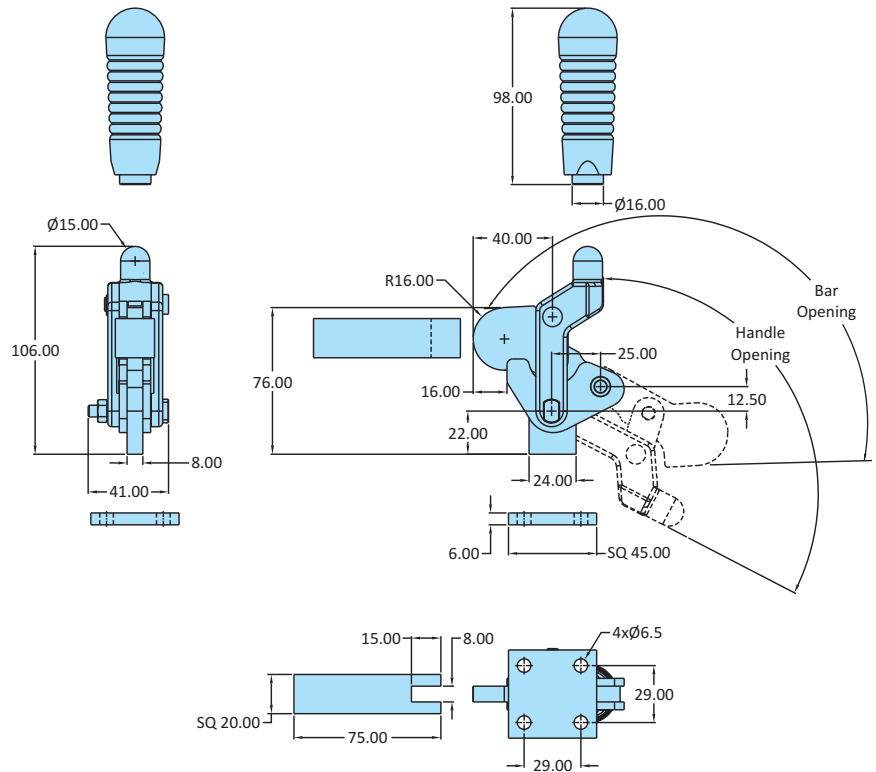
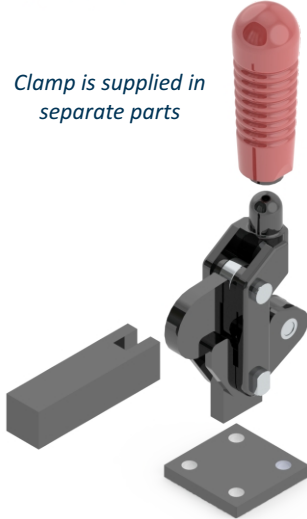


H.V. Series Toggle Clamps

Swivel Base

Model No	HV-BII-200
Weight	0.820 Kgs
Handle Opening ($\pm 3^\circ$)	110°
Clamp Bar Opening ($\pm 3^\circ$)	180°
Holding Capacity	4.90 kN
Material	Steel
Finish	Black ED* Coating
Arm Type	Solid Arm
Base Type	Swivel Base

Clamp is supplied in separate parts



H.V. Series Toggle Clamps

Swivel Base

Model No	HV-BII-300
Weight	1.490 Kgs
Handle Opening ($\pm 3^\circ$)	110°
Clamp Bar Opening ($\pm 3^\circ$)	180°
Holding Capacity	6.90 kN
Material	Steel
Finish	Black ED* Coating
Arm Type	Solid Arm
Base Type	Swivel Base

Clamp is supplied in separate parts

