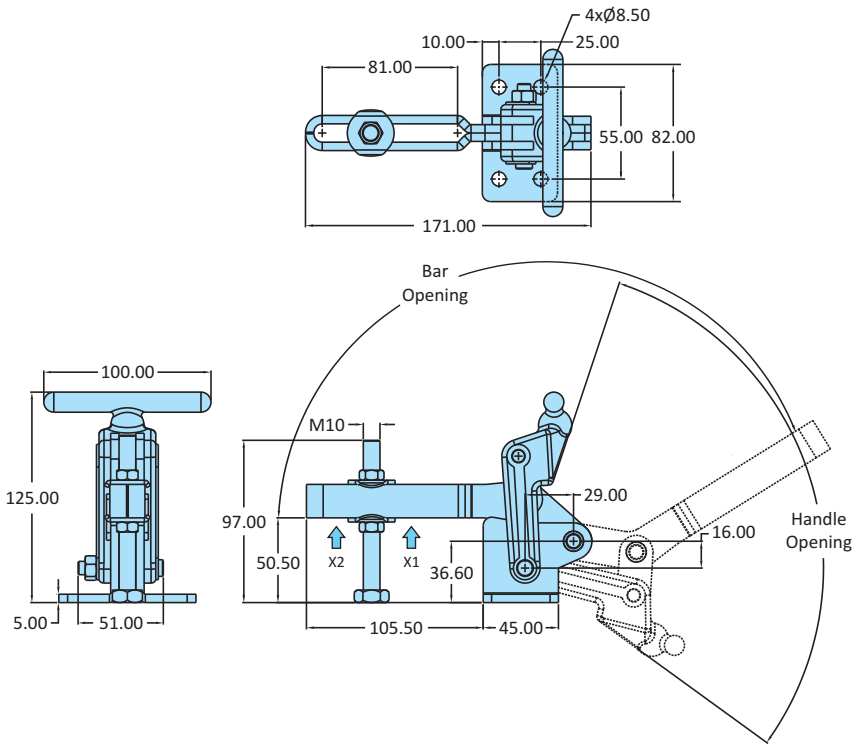


H.V. Series Toggle Clamps
Flanged Base

Model No	HV-700-FUT
Weight	1.000 Kgs
Handle Opening ($\pm 3^\circ$)	104°
Clamp Bar Opening ($\pm 3^\circ$)	150°
Holding Capacity	X1 - 6.90 kN
	X2 - 3.40 kN
Material	Steel
Finish	Black ED* Coating
Arm Type	Adjustable Arm
Base Type	Flanged Base
Supplied With Spindle	SH-1085-2N2W



H.V. Series Toggle Clamps
Flanged Base

Model No	HV-700-FUV
Weight	1.000 Kgs
Handle Opening ($\pm 3^\circ$)	104°
Clamp Bar Opening ($\pm 3^\circ$)	150°
Holding Capacity	X1 - 6.90 kN
	X2 - 3.40 kN
Material	Steel
Finish	Black ED* Coating
Arm Type	Adjustable Arm
Base Type	Flanged Base
Supplied With Spindle	SH-1085-2N2W

