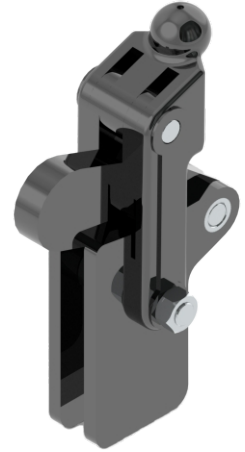
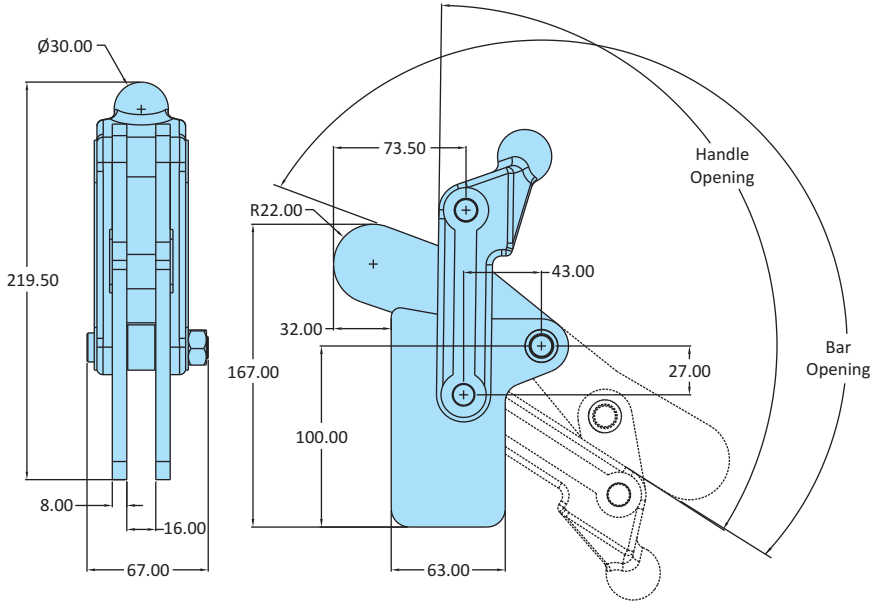


H.V. Series Toggle Clamps
Straight Base

Model No	HV-2400-T
Weight	3.200 Kgs
Handle Opening ($\pm 3^\circ$)	131°
Clamp Bar Opening ($\pm 3^\circ$)	192°
Holding Capacity	23.50 kN
Material	Steel
Finish	Black ED* Coating
Arm Type	Solid Arm
Base Type	Straight Base



H.V. Series Toggle Clamps
Straight Base

Model No	HV-2400-1A
Weight	3.120 Kgs
Handle Opening ($\pm 3^\circ$)	126°
Clamp Bar Opening ($\pm 3^\circ$)	203°
Holding Capacity	23.50 kN
Material	Steel
Finish	Black ED* Coating
Arm Type	Solid Arm
Base Type	Straight Base
Supplied With Spindle	RT-12115-2N

