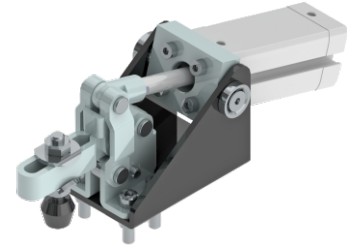
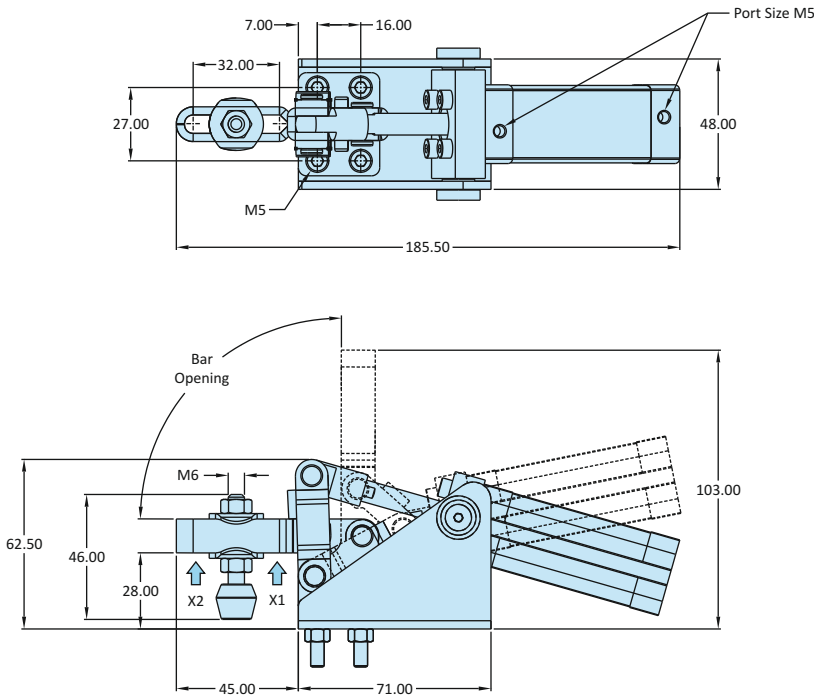


Hold Down Action Clamps

Model No.	AOT-2535-UB-FS
Weight	0.700 Kgs
Clamp Bar Opening ( $\pm 3^\circ$ )	90°
Holding Capacity	X1 - 1.00 kN
	X2 - 0.50 kN
Cylinder Type	ISO Series Double Acting Magnetic Cylinder
Cylinder Bore	16 mm
Cylinder Stroke	40 mm
Arm Type	Adjustable Arm
Supplied with Spindle	RT-645-2N2W



Hold Down Action Clamps

Model No.	AOT-2535-SB-FS
Weight	0.700 Kgs
Clamp Bar Opening ( $\pm 3^\circ$ )	90°
Holding Capacity	X1 - 1.00 kN
	X2 - 0.50 kN
Cylinder Type	ISO Series Double Acting Magnetic Cylinder
Cylinder Bore	16 mm
Cylinder Stroke	40 mm
Arm Type	Solid Arm
Supplied with Spindle	RT-645-2N

