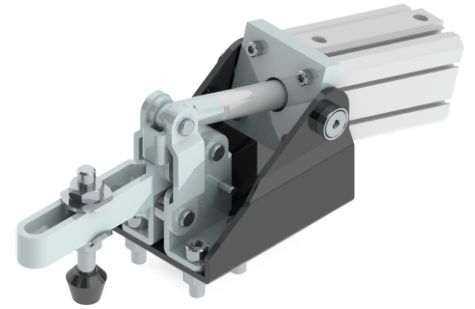
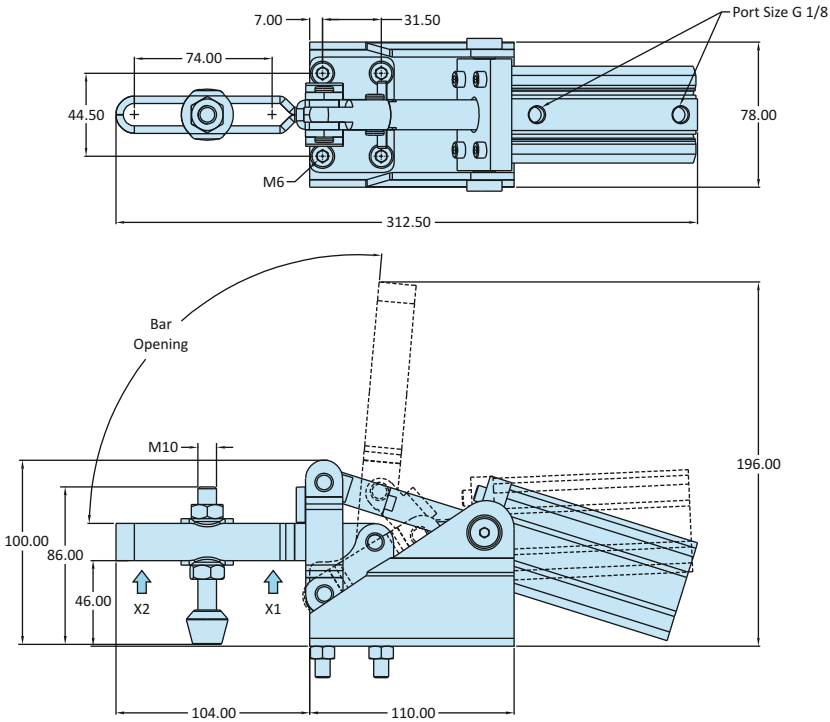


Hold Down Action Clamps

Model No.	AOT-4690-UB
Weight	1.900 Kgs
Clamp Bar Opening ($\pm 3^\circ$)	95°
Holding Capacity	X1 - 3.90 kN
	X2 - 2.00 kN
Cylinder Type	ISO Series Double Acting Magnetic Cylinder
Cylinder Bore	40 mm
Cylinder Stroke	60 mm
Arm Type	Adjustable Arm
Supplied with Spindle	RT-1085-2N2W



Hold Down Action Clamps

Model No.	AOT-4690-SB
Weight	1.900 Kgs
Clamp Bar Opening ($\pm 3^\circ$)	95°
Holding Capacity	X1 - 3.90 kN
	X2 - 2.00 kN
Cylinder Type	ISO Series Double Acting Magnetic Cylinder
Cylinder Bore	40 mm
Cylinder Stroke	60 mm
Arm Type	Solid Arm
Supplied with Spindle	RT-1085-2N

