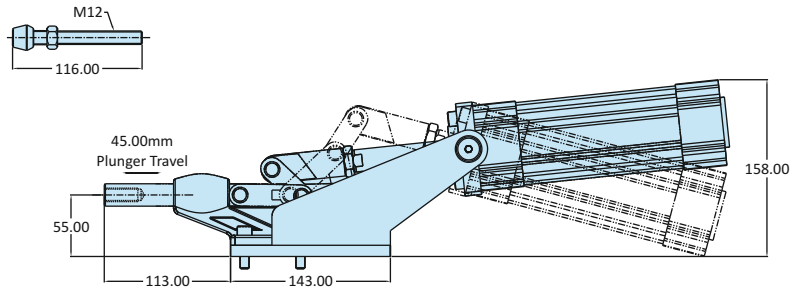
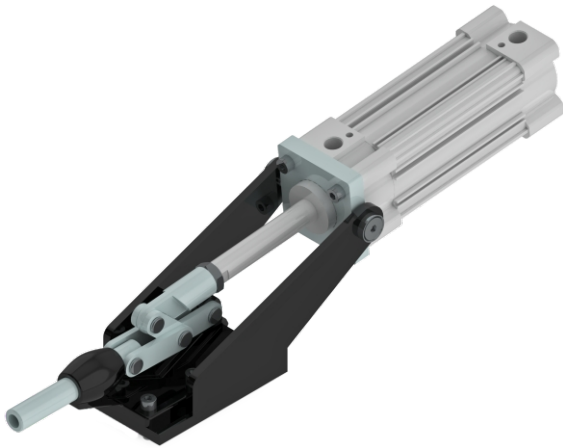
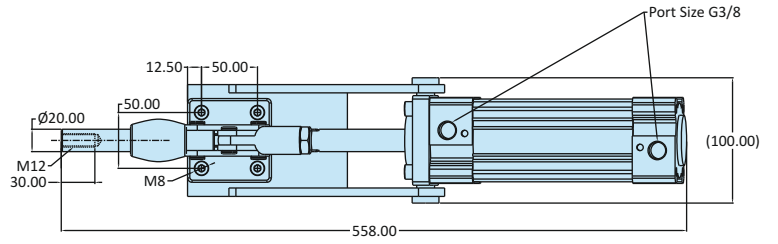


Straight Line Action Clamps

Model No.	AOT-5560-HTC
Weight	6.400 Kgs
Holding Capacity	X - 10.00 kN
Cylinder Type	ISO Series Double Acting Magnetic Cylinder
Cylinder Bore	63 mm
Cylinder Stroke	100 mm
Plunger Travel	45.00 mm
Supplied with Spindle	RT-12115-1N



Straight Line Action Clamps

Model No.	AOT-6750-HTC
Weight	7.800 Kgs
Holding Capacity	X - 25.00 kN
Cylinder Type	ISO Series Double Acting Magnetic Cylinder
Cylinder Bore	63 mm
Cylinder Stroke	100 mm
Plunger Travel	47.00 mm
Supplied with Spindle	RT-16170-1N

