

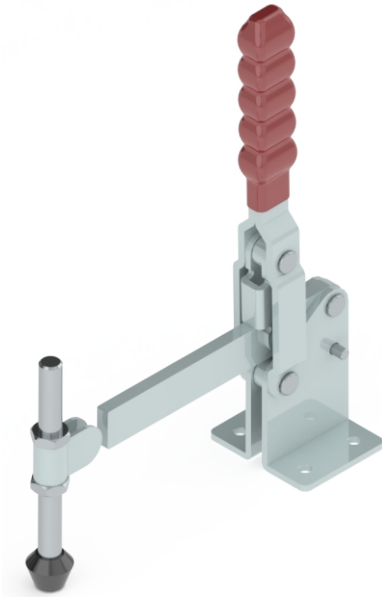
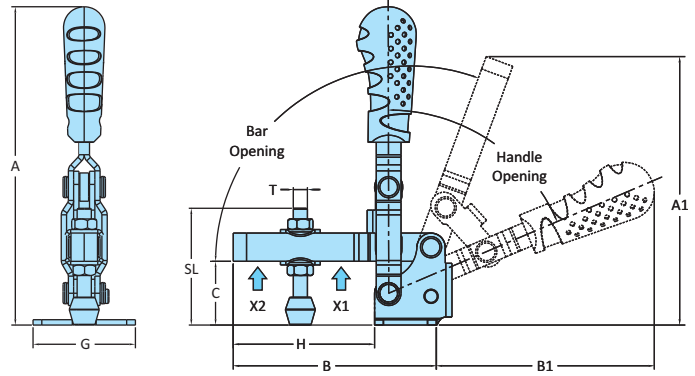
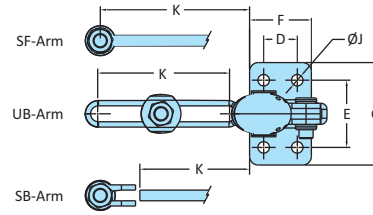
VTC-Series

Medium Duty Clamps-Flanged Base

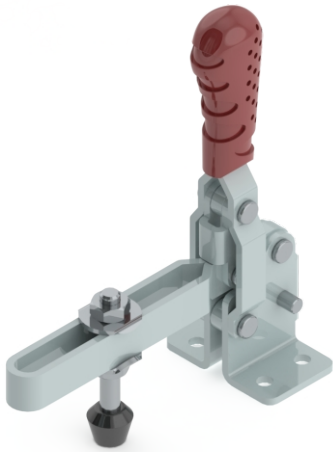
The **SF Series** have a solid hold down bar which has a fixed guide bush at its end for the spindle assembly.

The **SB Series** have a 'U' bar arm which the bolt retainer can be welded at any desired angle.

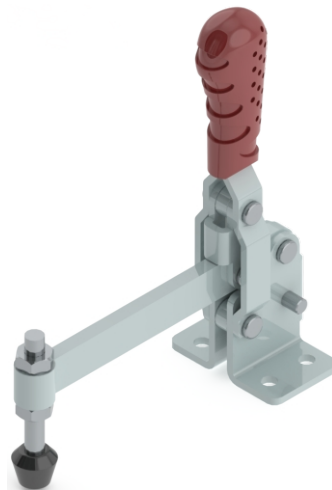
The **UB Series** have a 'U' bar arm which enables one or more spindles to be moved into any desired position along the arm.



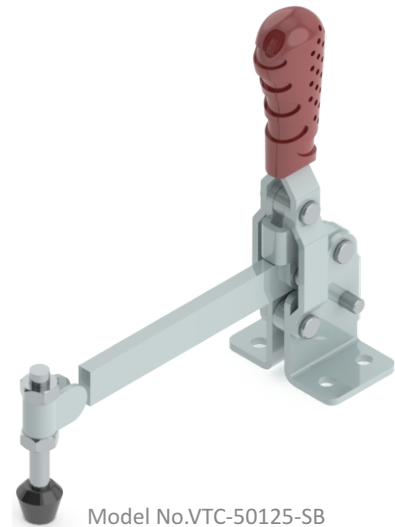
Model No.VTC-85150-SB



Model No.VTC-50125-UB



Model No.VTC-50125-SF



Model No.VTC-50125-SB

Model No.	Material	Finish	Arm Type	Base Type	Supplied With		Holding Capacity	
					Spindle Assembly	Washers	X2	X1
VTC-5040-SF	Steel	Zinc Plated	Spindle Fixed	Flanged Base	RT-1085-2N	-	3.50 kN	-
VTC-50125-UB	Steel	Zinc Plated	Adjustable Arm	Flanged Base	RT-12115-2N2W	M12-WSHR	1.60 kN	3.40 kN
VTC-50125-SF	Steel	Zinc Plated	Spindle Fixed	Flanged Base	RT-12115-2N	-	1.60 kN	-
VTC-50125-SB	Steel	Zinc Plated	Solid Arm	Flanged Base	RT-12115-2N	-	1.60 kN	3.40 kN
VTC-85150-UB	Steel	Zinc Plated	Adjustable Arm	Flanged Base	RT-16170-2N2W	M16-WSHR	3.50 kN	5.90 kN
VTC-85150-SF	Steel	Zinc Plated	Spindle Fixed	Flanged Base	RT-16170-2N	-	3.50 kN	-
VTC-85150-SB	Steel	Zinc Plated	Solid Arm	Flanged Base	RT-16170-2N	-	3.50 kN	5.90 kN

Model No.	Weight Kgs	Handle Opening	Bar Opening	Dimensions													
				A	A1	B	B1	C	D	E	F	G	H	J	K	T	SL
VTC-5040-SF	0.750	71°	120°	211.5	143	99.2	134	50	25	45	45	72	54.2	8.5	45.2	M10	86
VTC-50125 UB	0.880	72°	120°	210	215	183	133	50	25	45	45	72	138	8.5	113	M12	116
VTC-50125 SF	0.880	72°	120°	210	215	183	133	50	25	45	45	72	138	8.5	128	M12	116
VTC-50125 SB	0.880	72°	120°	210	208	175	133	50	25	45	45	72	130	8.5	130	M12	116
VTC-85150 UB	2.510	75°	107°	350	322	237	208.5	85	45	60	75	90	162	8.5	126	M16	173
VTC-85150 SF	2.510	75°	107°	347	335	240	208.5	85	45	60	75	90	165	8.5	149	M16	173
VTC-85150 SB	2.510	75°	107°	347	303	217	208.5	85	45	60	75	90	142	8.5	142	M16	173