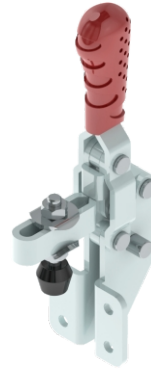
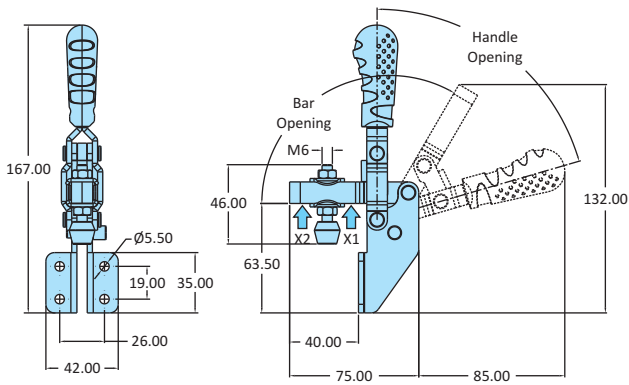


VTC-Series

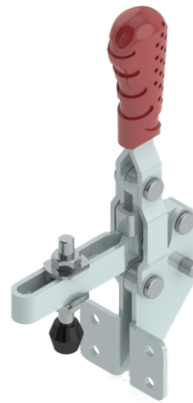
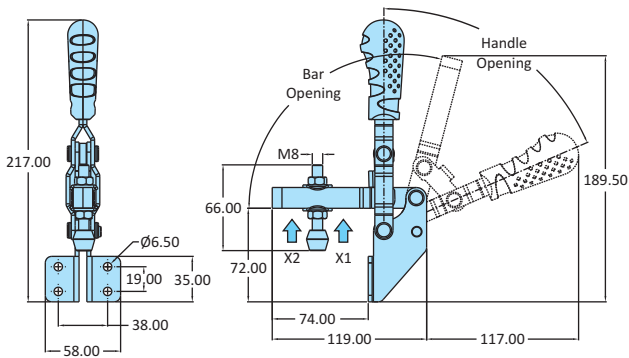
Medium Duty Clamps-Front Mounting Base



Model No	VTC-6440-UB-FM
Weight	0.270 Kgs
Handle Opening ($\pm 3^\circ$)	74°
Clamp Bar Opening ($\pm 3^\circ$)	120°
Holding Capacity	X1 - 1.00 kN
	X2 - 0.50 kN
Material	Steel
Finish	Zinc Plated
Arm Type	Adjustable Arm
Base Type	Front Mounting Base
Supplied with Spindle	RT-645-2N2W
Model No	VTC-6440-UB-FM-SS
Material	Stainless Steel-304
Supplied with Spindle	RT-645-2N2W-SS

VTC-Series

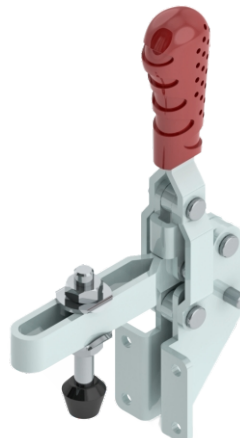
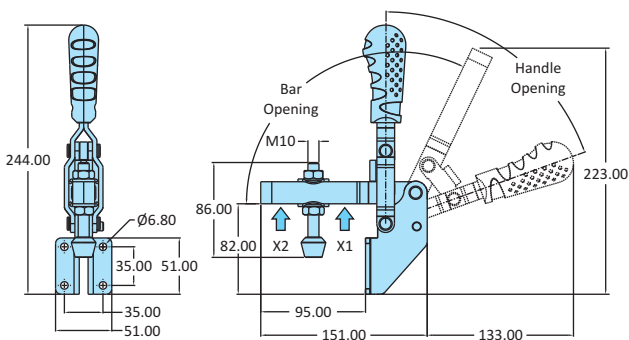
Medium Duty Clamps-Front Mounting Base



Model No	VTC-7273-UB-FM
Weight	0.470 Kgs
Handle Opening ($\pm 3^\circ$)	67°
Clamp Bar Opening ($\pm 3^\circ$)	104°
Holding Capacity	X1 - 2.00 kN
	X2 - 1.00 kN
Material	Steel
Finish	Zinc Plated
Arm Type	Adjustable Arm
Base Type	Front Mounting Base
Supplied with Spindle	RT-865-2N2W
Model No	VTC-7273-UB-FM-SS
Material	Stainless Steel-304
Supplied with Spindle	RT-865-2N2W-SS

VTC-Series

Medium Duty Clamps-Front Mounting Base



Model No	VTC-8296-UB-FM
Weight	0.870 Kgs
Handle Opening ($\pm 3^\circ$)	70°
Clamp Bar Opening ($\pm 3^\circ$)	115°
Holding Capacity	X1 - 4.90 kN
	X2 - 2.00 kN
Material	Steel
Finish	Zinc Plated
Arm Type	Adjustable Arm
Base Type	Front Mounting Base
Supplied with Spindle	RT-1085-2N2W
Model No	VTC-8296-UB-FM-SS
Material	Stainless Steel-304
Supplied with Spindle	RT-1085-2N2W-SS