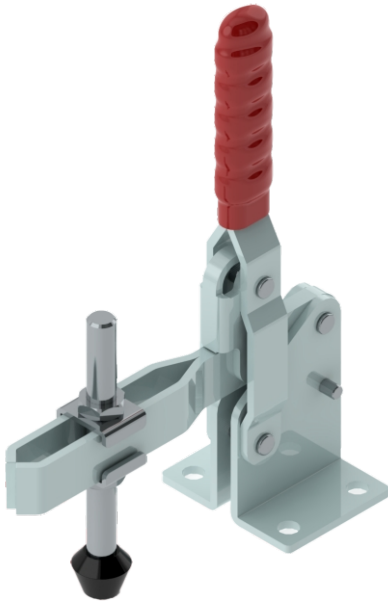
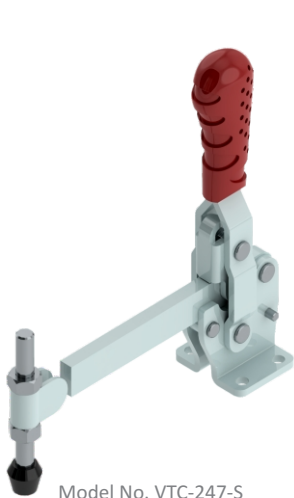
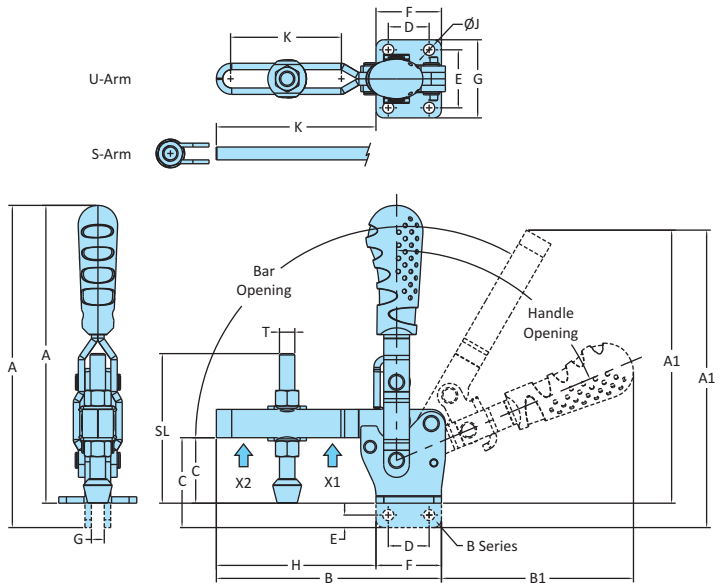


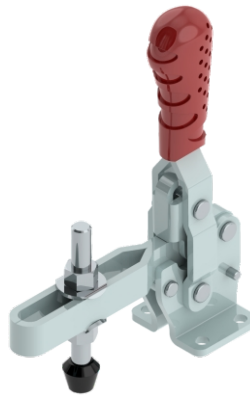
Vertical Hold Down Action  
VTC-247 & VTC-267 Series



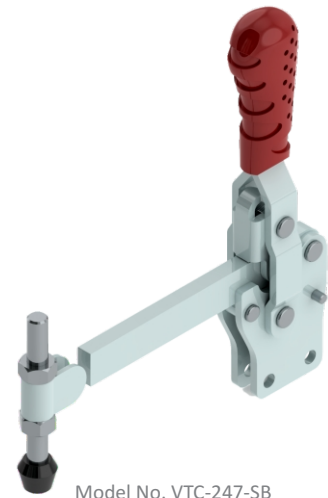
Model No. VTC-267-U



Model No. VTC-247-S



Model No. VTC-247-U



Model No. VTC-247-SB

Model No.	Material	Finish	Arm Type	Base Type	Supplied With		Holding Capacity	
					Spindle Assembly	Washers	X2	X1
VTC-247-S	Steel	Zinc Plated	Solid Arm	Flanged Base	RT-12115-2N	-	2.20 kN	4.40 kN
VTC-247-SB	Steel	Zinc Plated	Solid Arm	Straight Base	RT-12115-2N	-	2.20 kN	4.40 kN
VTC-247-U	Steel	Zinc Plated	Adjustable Arm	Flanged Base	RT-12115-2N2W	M12-WSHR	2.00 kN	4.40 kN
VTC-247-UB	Steel	Zinc Plated	Adjustable Arm	Straight Base	RT-12115-2N2W	M12-WSHR	2.00 kN	4.40 kN
VTC-267-S	Steel	Zinc Plated	Solid Arm	Flanged Base	RT-16170-2N	-	2.00 kN	5.40 kN
VTC-267-U	Steel	Zinc Plated	Adjustable Arm	Flanged Base	RT-16170-2N2W	M16-WSHR	2.00 kN	5.40 kN

Model No.	Weight Kgs	Handle Opening	Bar Opening	Dimensions													
				A	A1	B	B1	C	D	E	F	G	H	J	K	T	SL
VTC-247-S	1.280	67°	120°	231	212	174.8	149	50.8	31.8	45	50.8	60.6	124	8.6	124	M12	116
VTC-247-SB	1.000	67°	120°	249.5	230.5	174.8	149	69.7	31.8	9.7	50.8	10	124	8.6	124	M12	116
VTC-247-U	1.280	67°	120°	231	212	174.8	149	50.8	31.8	45	50.8	60.6	124	8.6	85	M12	116
VTC-247-UB	1.270	67°	120°	249.5	231	174.8	149	69.7	31.8	9.7	50.8	10	124	8.6	85	M12	116
VTC-267-S	2.370	60°	110°	316	310	233	174.5	82	50.8	69.9	76.2	95	156.8	12.5	156.8	M16	173
VTC-267-U	2.200	60°	110°	316	310	233	174	82	50.8	69.9	76.2	95	156.8	12.5	98	M16	173