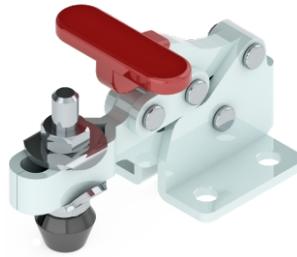
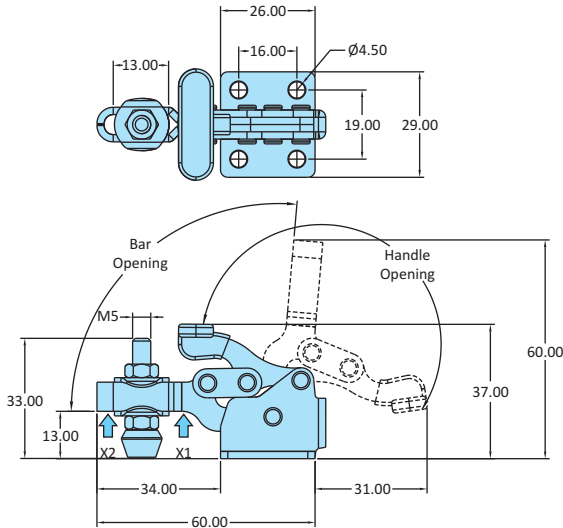
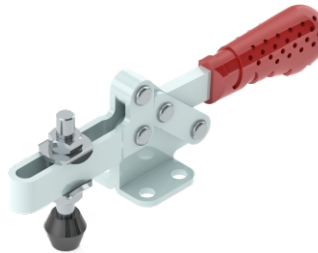
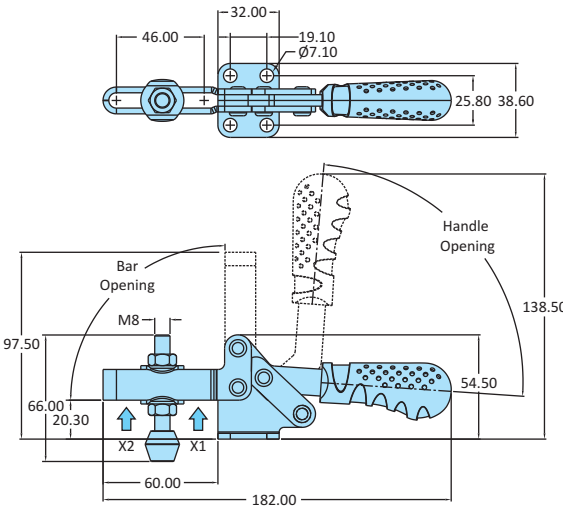
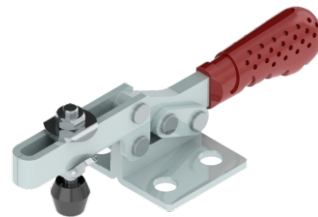
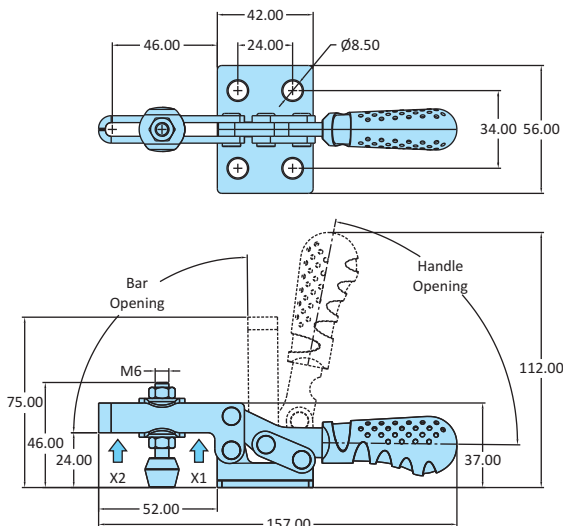


H-Series  
 Miniature Clamps


Model No	H-1330-UB
Weight	0.060 Kgs
Handle Opening ( $\pm 3^\circ$ )	175°
Clamp Bar Opening ( $\pm 3^\circ$ )	95°
Holding Capacity	X1 - 0.50 kN
	X2 - 0.20 kN
Material	Steel
Finish	Zinc Plated
Arm Type	Adjustable Arm
Base Type	Flanged Base
Supplied with Spindle	RT-533-2N2W
Model No	H-1330-UB-SS
Material	Stainless Steel-304
Supplied with Spindle	RT-533-2N2W-SS

 H-Series  
 Medium Duty Clamps-Flanged Base


Model No	H-2050-UB-CL
Weight	0.250 Kgs
Handle Opening ( $\pm 3^\circ$ )	90°
Clamp Bar Opening ( $\pm 3^\circ$ )	90°
Holding Capacity	X1 - 2.00 kN
	X2 - 1.00 kN
Material	Steel
Finish	Zinc Plated
Arm Type	Adjustable Arm
Base Type	Flanged Base
Supplied with Spindle	RT-865-2N2W

 H-Series  
 Medium Duty Clamps-Flanged Base


Model No	H-2452-UB
Weight	0.250 Kgs
Handle Opening ( $\pm 3^\circ$ )	80°
Clamp Bar Opening ( $\pm 3^\circ$ )	90°
Holding Capacity	X1 - 2.40 kN
	X2 - 1.00 kN
Material	Steel
Finish	Zinc Plated
Arm Type	Adjustable Arm
Base Type	Flanged Base
Supplied with Spindle	RT-645-2N2W
Model No	H-2452-UB-SS
Material	Stainless Steel-304
Supplied with Spindle	RT-645-2N2W-SS