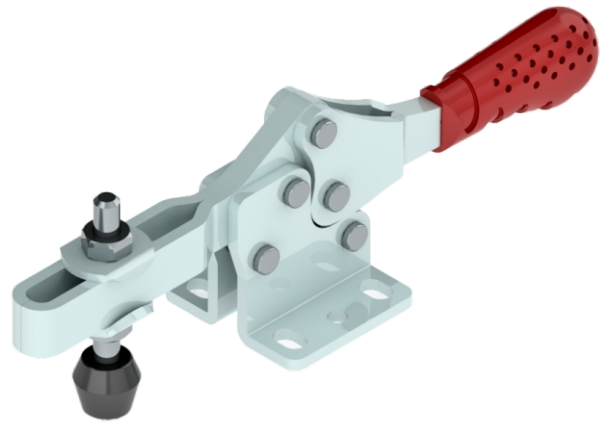
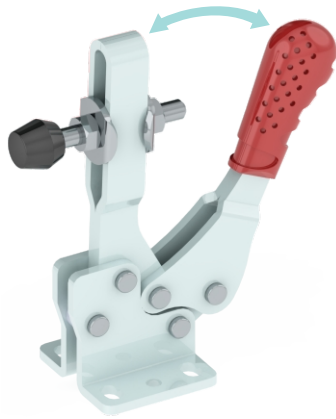


**Horizontal Hold Down Action-  
International Range**

The all new international equivalent range of toggle clamps from Steel-Smith. Now all the leading international toggle clamps have their equivalents in this range. What's more, these quality clamps come with hardened bushes for enhanced life, several safety features and slicker finish.

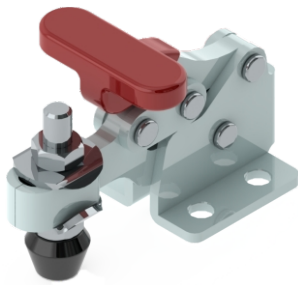


**Extra distance for safety**

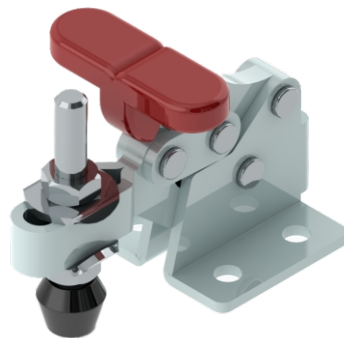


New improved design includes increased distance between the handle and the clamping arm. This ensures maximum safety during the clamp's fully open position.

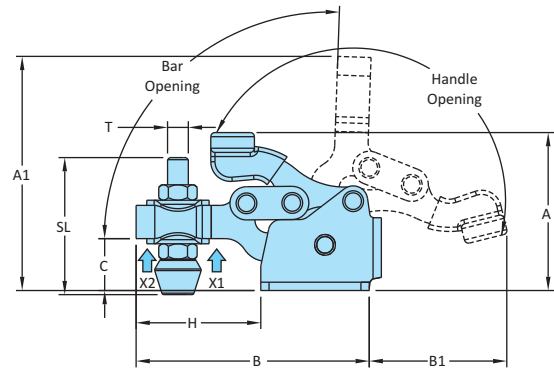
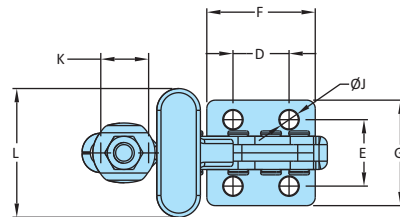
**Horizontal Hold Down Action  
H - 305, 307, 309 Series**



Model No. H-305-U



Model No. H-307-U



Model No.	Material	Finish	Arm Type	Base Type	Supplied With		Holding Capacity	
					Spindle Assembly	Washers	X2	X1
H-305-U	Steel	Zinc Plated	Adjustable Arm	Flanged Base	RT-533-2N2W	M5-W SHR	0.20 kN	0.50 kN
H-307-U	Steel	Zinc Plated	Adjustable Arm	Flanged Base	RT-865-2N2W	M8-W SHR	1.10 kN	1.40 kN
H-309-U	Steel	Zinc Plated	Adjustable Arm	Flanged Base	RT-1085-2N2W	M10-W SHR	2.30 kN	3.40 kN
H-305-U-SS	Stainless Steel-304	Electro Polishing	Adjustable Arm	Flanged Base	RT-533-2N2W-SS	M5-W SHR-SS	0.20 kN	0.50 kN
H-307-U-SS	Stainless Steel-304	Electro Polishing	Adjustable Arm	Flanged Base	RT-865-2N2W-SS	M8-W SHR-SS	1.10 kN	1.40 kN
H-309-U-SS	Stainless Steel-304	Electro Polishing	Adjustable Arm	Flanged Base	RT-1085-2N2W-SS	M10-W SHR-SS	2.30 kN	3.40 kN

Model No.	Weight Kgs	Handle Opening	Bar Opening	Dimensions													
				A	A1	B	B1	C	D	E	F	G	H	J	K	T	SL
H-305-U	0.060	166°	92°	38	56.5	56.1	33	12.5	13.5	16	26.1	25.4	30	4.5	11.5	M5	33
H-307-U	0.260	175°	88°	66	92	88.6	52	23.5	23	29.4	43.6	46.6	45	7	17	M8	66
H-309-U	0.670	160°	90°	91.2	129	131.6	72.5	33.3	35.1	38.1	64	62.7	67.6	8.4	26.9	M10	86
H-305-U-SS	0.060	166°	92°	38	56.5	56.1	33	12.5	13.5	16	26.1	25.4	30	4.5	11.5	M5	33
H-307-U-SS	0.260	175°	88°	66	92	88.6	52	23.5	23	29.4	43.6	46.6	45	7	17	M8	66
H-309-U-SS	0.670	160°	90°	91.2	129	131.6	72.5	33.3	35.1	38.1	64	62.7	67.6	8.4	26.9	M10	86