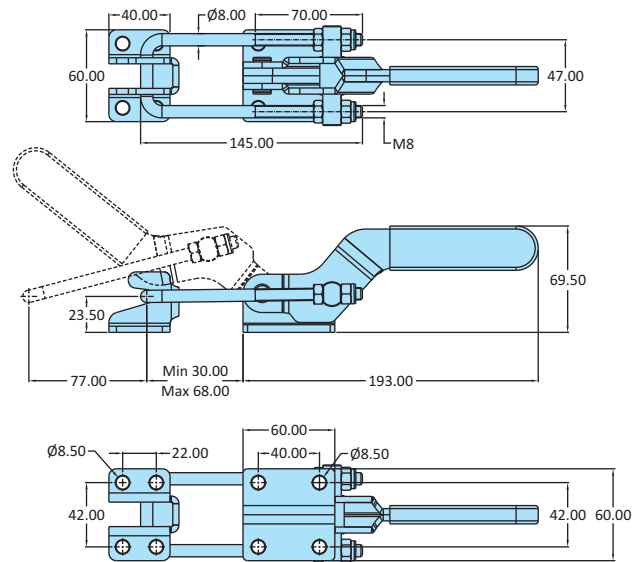
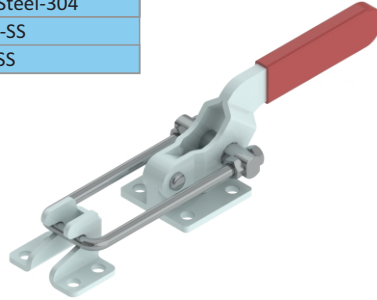


Pull Action Clamps

PAH Series

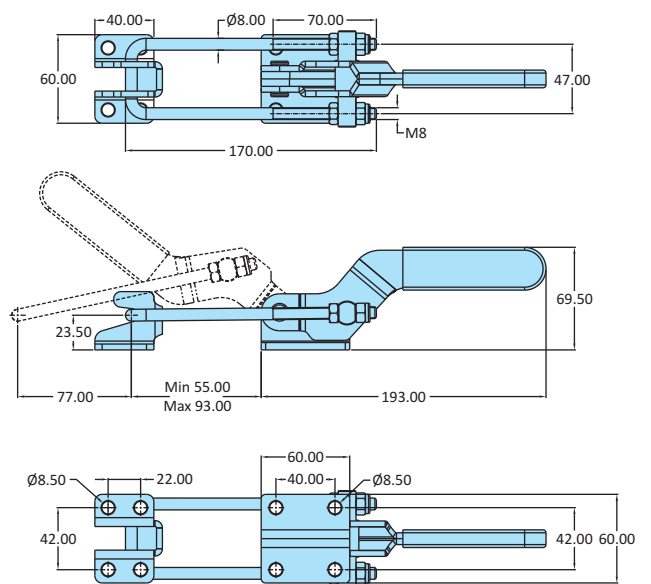
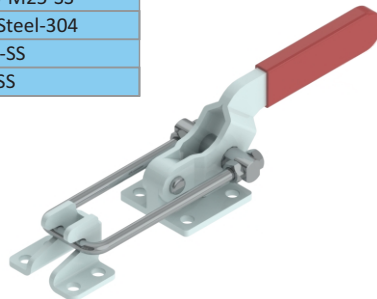
Model No	PAH-2445
Weight	0.890 Kgs
Holding Capacity	X - 9.30 kN
Material	Steel
Finish	Zinc Plated
Base Type	Flanged Base
Drawing Movement	77
U Bolt Part Number	M814570
Front Hook Part Number	FH-2445
Model No	PAH-2445-SS
Material	Stainless Steel-304
U Bolt Part Number	M814570-SS
Front Hook Part Number	FH-2445-SS



Pull Action Clamps

PAH Series

Model No	PAH-2445-M25
Weight	0.900 Kgs
Holding Capacity	X - 9.30 kN
Material	Steel
Finish	Zinc Plated
Base Type	Flanged Base
Drawing Movement	77
U Bolt Part Number	M817070
Front Hook Part Number	FH-2445
Model No	PAH-2445-M25-SS
Material	Stainless Steel-304
U Bolt Part Number	M817070-SS
Front Hook Part Number	FH-2445-SS



Pull Action Clamps

PAH Series

Model No	PAH-2445-M50
Weight	0.920 Kgs
Holding Capacity	X - 9.30 kN
Material	Steel
Finish	Zinc Plated
Base Type	Flanged Base
Drawing Movement	77
U Bolt Part Number	M819570
Front Hook Part Number	FH-2445
Model No	PAH-2445-M50-SS
Material	Stainless Steel-304
U Bolt Part Number	M819570-SS
Front Hook Part Number	FH-2445-SS

