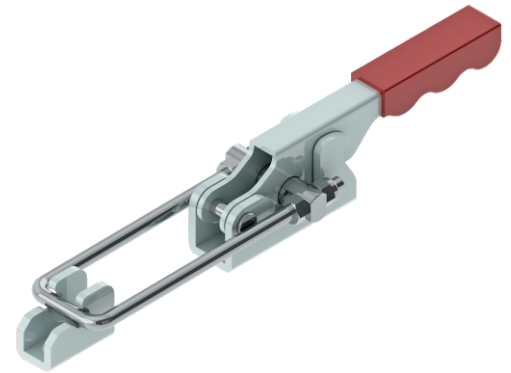
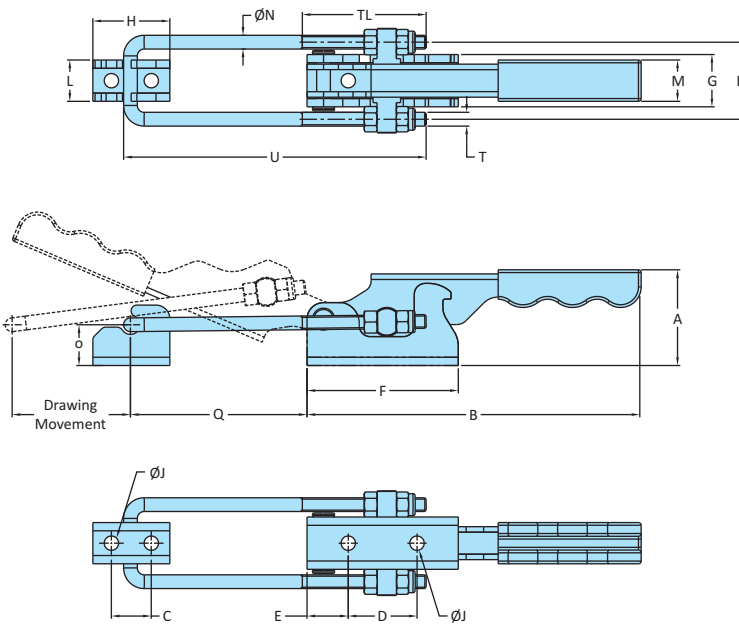
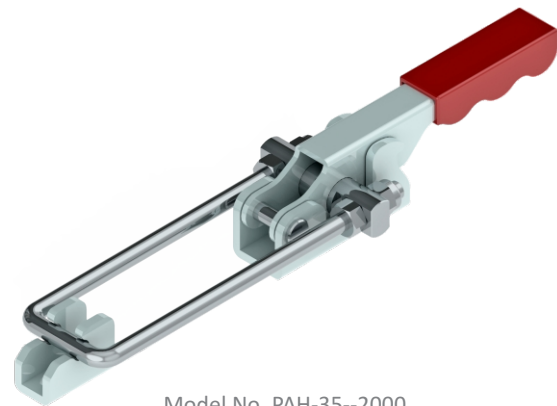


Pull Action Clamps  
PAH Series



Model No. PAH-25-1000



Model No. PAH-35-2000

Model No	Material	Finish	Base Type	Drawing Movement	U Bolt Part Number	Front Hook Part Number	Holding Capacity
PAH-25-1000	Steel	Zinc Plated	Flanged Base	43	M511045	FH-25-1000	2.00 kN
PAH-25-1000-M25	Steel	Zinc Plated	Flanged Base	43	M516045	FH-25-1000	2.00 kN
PAH-25-1000-M50	Steel	Zinc Plated	Flanged Base	43	M516045	FH-25-1000	2.00 kN
PAH-35-2000	Steel	Zinc Plated	Flanged Base	45	M613055	FH-35-2000	3.40 kN
PAH-35-2000-M25	Steel	Zinc Plated	Flanged Base	45	M615555	FH-35-2000	3.40 kN
PAH-35-2000-M50	Steel	Zinc Plated	Flanged Base	45	M618055	FH-35-2000	3.40 kN
PAH-25-1000-SS	Stainless Steel-304	Electro Polishing	Flanged Base	43	M511045-SS	FH-25-1000-SS	2.00 kN
PAH-25-1000-M25-SS	Stainless Steel-304	Electro Polishing	Flanged Base	43	M516045-SS	FH-25-1000-SS	2.00 kN
PAH-25-1000-M50-SS	Stainless Steel-304	Electro Polishing	Flanged Base	43	M516045-SS	FH-25-1000-SS	2.00 kN
PAH-35-2000-SS	Stainless Steel-304	Electro Polishing	Flanged Base	45	M613055-SS	FH-35-2000-SS	3.40 kN
PAH-35-2000-M25-SS	Stainless Steel-304	Electro Polishing	Flanged Base	45	M615555-SS	FH-35-2000-SS	3.40 kN
PAH-35-2000-M50-SS	Stainless Steel-304	Electro Polishing	Flanged Base	45	M618055-SS	FH-35-2000-SS	3.40 kN

Model No	Weight Kgs	Dimensions																		
		A	B	C	D	E	F	G	H	J	K	L	N	M	O	Q Min	Q Max	U	T	TL
PAH-25-1000	0.210	35	121	14.5	25	15	55	19	28	5.2	28	15	5	15	15	39	65	110	M5	45
PAH-25-1000-M25	0.220	35	121	14.5	25	15	55	19	28	5.2	28	15	5	15	15	64	90	135	M5	45
PAH-25-1000-M50	0.220	35	121	14.5	25	15	55	19	28	5.2	28	15	5	15	15	89	115	160	M5	45
PAH-35-2000	0.310	33	121	14.5	30	15	55	21	28	6.5	33	17	6	17	14	45	79	130	M6	55
PAH-35-2000-M25	0.320	33	121	14.5	30	15	55	21	28	6.5	33	17	6	17	14	70	104	155	M6	55
PAH-35-2000-M50	0.330	33	121	14.5	30	15	55	21	28	6.5	33	17	6	17	14	95	129	180	M6	55
PAH-25-1000-SS	0.210	35	121	14.5	25	15	55	19	28	5.2	28	15	5	15	15	39	65	110	M5	45
PAH-25-1000-M25-SS	0.220	35	121	14.5	25	15	55	19	28	5.2	28	15	5	15	15	64	90	135	M5	45
PAH-25-1000-M50-SS	0.220	35	121	14.5	25	15	55	19	28	5.2	28	15	5	15	15	89	115	160	M5	45
PAH-35-2000-SS	0.310	33	121	14.5	30	15	55	21	28	6.5	33	17	6	17	14	45	79	130	M6	55
PAH-35-2000-M25-SS	0.320	33	121	14.5	30	15	55	21	28	6.5	33	17	6	17	14	70	104	155	M6	55
PAH-35-2000-M50-SS	0.330	33	121	14.5	30	15	55	21	28	6.5	33	17	6	17	14	95	129	180	M6	55