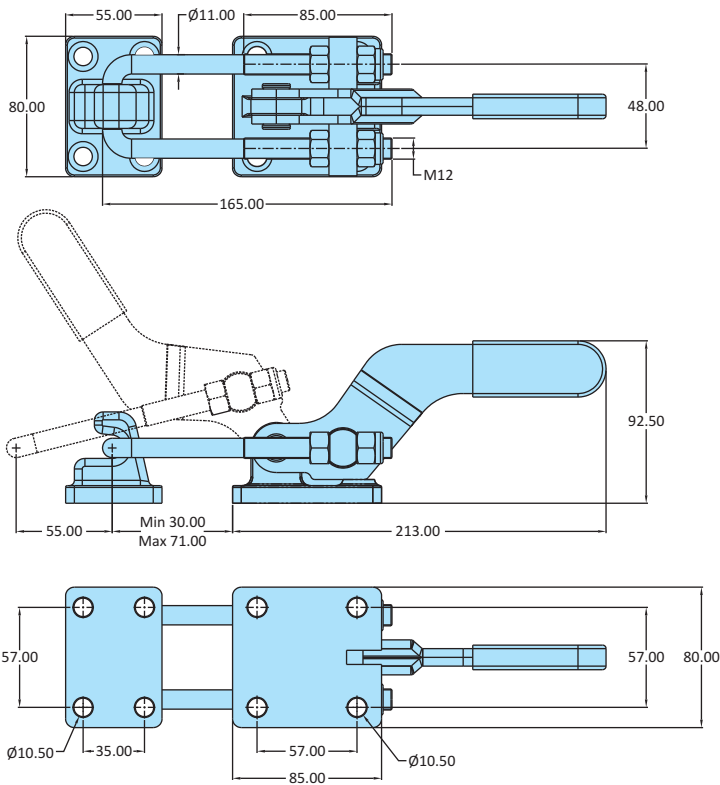
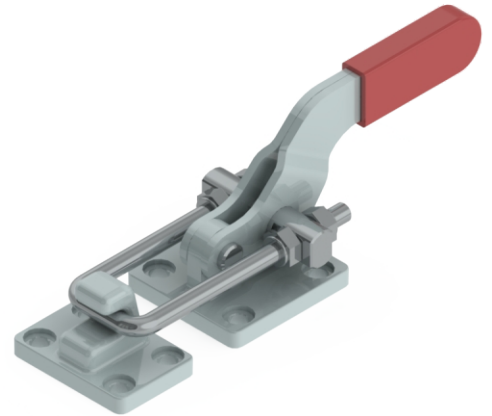


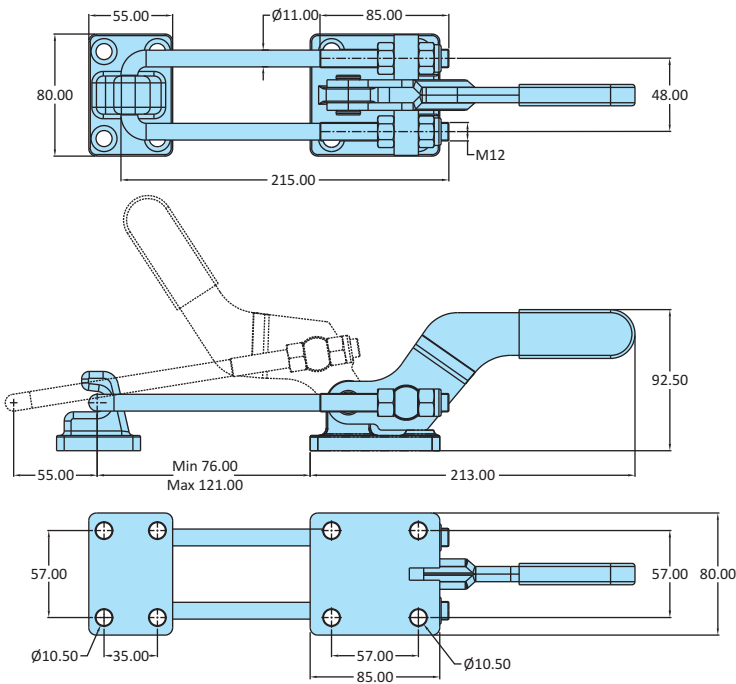
Pull Action Clamps
PAH Series



Model No	PAH-375
Weight	2.050 Kgs
Holding Capacity	X - 17.60 kN
Material	Steel
Finish	Zinc Plated
Base Type	Flanged Base
Drawing Movement	55
U Bolt Part Number	M1216585
Front Hook Part Number	FH-2603



Pull Action Clamps
PAH Series



Model No	PAH-375-M50
Weight	2.140 Kgs
Holding Capacity	X - 17.60 kN
Material	Steel
Finish	Zinc Plated
Base Type	Flanged Base
Drawing Movement	55
U Bolt Part Number	M1221585
Front Hook Part Number	FH-2603

