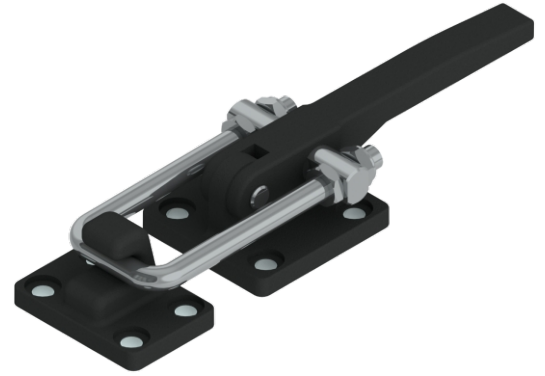
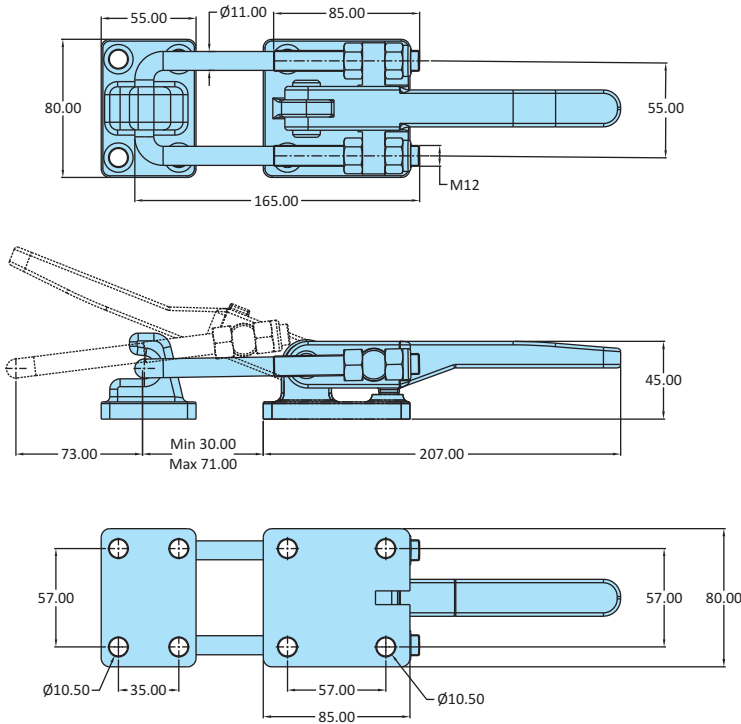


Pull Action Clamps
PAH Series

Model No	PAH-385-L
Weight	2.110 Kgs
Holding Capacity	X - 34.30 kN
Material	Steel
Finish	Black ED* Coating
Base Type	Flanged Base
Drawing Movement	73
U Bolt Part Number	M1216585-55
Front Hook Part Number	FH-385



Pull Action Clamps
PAH Series

Model No	PAH-385-L-M50
Weight	2.180 Kgs
Holding Capacity	X - 34.30 kN
Material	Steel
Finish	Black ED* Coating
Base Type	Flanged Base
Drawing Movement	74
U Bolt Part Number	M1221585-55
Front Hook Part Number	FH-385

