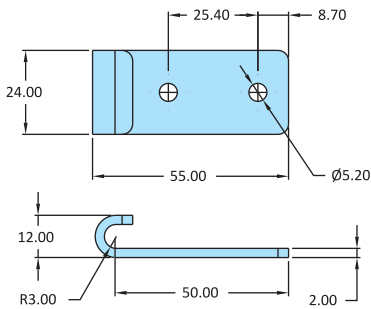
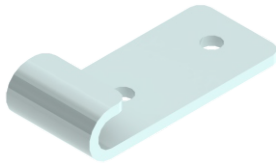


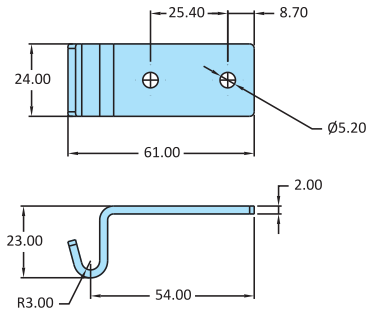
Model No: FH-02-502
Medium Duty Front Hook

Weight - 0.020 kgs



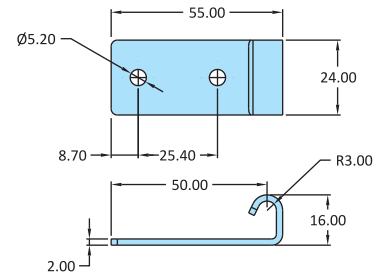
Model No: FH-03-1692
Medium Duty Front Hook

Weight - 0.030 kgs



Model No: FH-07-613
Medium Duty Front Hook

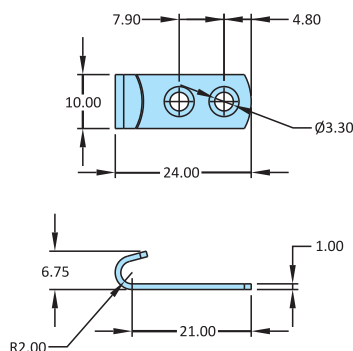
Weight - 0.025 kgs



Model Number	Stainless Steel-304 Model Number	Suitable for Model Number	
FH-02-502	FH-02-502-SS	PAH-30-502	PAH-30-675
		PAH-30-570	PAH-33-1260
		PAH-30-588LP	PAH-33-5880
		PAH-30-590	PAH-33-2556
		PAH-30-500	PAH-38-1260-TRIG
FH-03-1692	FH-03-1692-SS	PAH-30-550	PAH-38-5880-TRIG
FH-07-613	FH-07-613-SS (These Hooks can be used for the corresponding Stainless Steel Latches)	PAH-30-800	PAH-38-2556-TRIG
		PAH-30-850	PAH-60-2600
		PAH-30-602	PAH-70-2600
		PAH-30-670	PAH-70-2573
		PAH-30-625	PAH-61-200-BATRIG

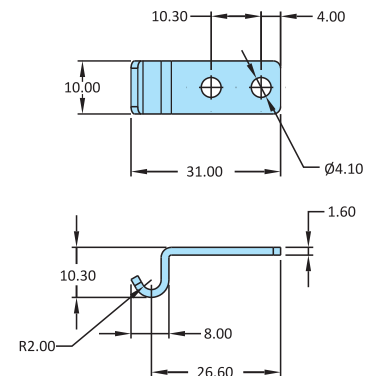
Model No: FH-02-531
Light Duty Front Hook

Weight - 0.002 kgs



Model No: FH-03-613
Light Duty Front Hook

Weight - 0.030 kgs



Model Number	Stainless Steel-304 Model Number	Suitable for Model Number	
FH-02-531	FH-02-531	PAH-27-633	PAH-0310
FH-03-613	FH-03-613 (These Hooks can be used for the corresponding Stainless Steel Latches)	PAH-27-1620	PAH-4813
		PAH-27-1570-TRIG	PAH-CT-10103
		PAH-27-1750-TRIG	PAH-CT-10104
		PAH-0313	PAH-CT-10105